

BVH65 /80/100

Flanged 2-way ball valves



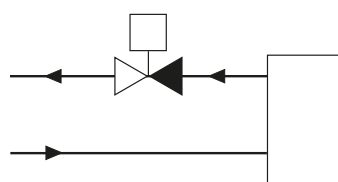
BVH series flanged ball valves designed for control of hot, cold or glycolmixed water in heating and ventilation system. The valves are intended for use together with Industrietechnik damper actuators.

- Size DN65, DN80 and DN100
- Kvs value 63...160
- Media temperature -5...+120°C
- Pressure rating PN16
- Rangeability 100: 1
- High close-off pressures

Function

2-way valve

On top of the valves stem, there is a groove to indicate closing direction.



Installation

The 2 way valve should be mounted with part A on the inlet and port B on the return (flow direction A in, B out) to ensure that the ball closes tightly and to prevent any noise when closing.

- Before installation of the control valves, ensure that the pipe is clean. Make sure that pipe scale, metal chips, welding slang and other foreign materials are removed.

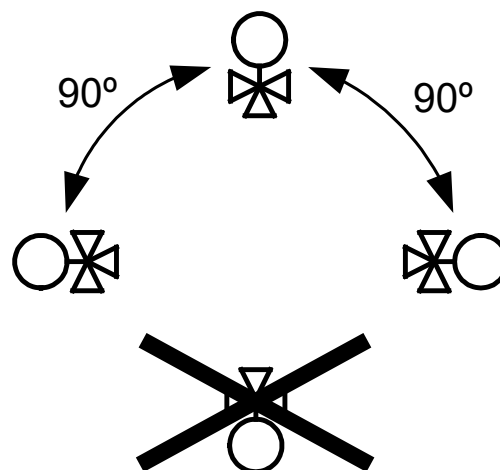
MAIN OFFICE BRESSANONE

I-39042 Bressanone (BZ) tel: +39 0472 830626
 via Julius-Durst-Str. 50 fax: +39 0472 831840
 VAT No. IT02748450216 www.industrietechnik.it

BVH65 /80/100

- The valve should never be mounted at an angle of more than 90°.
- Install the valve according to the fluid direction arrow show on the valve.
- Make sure there is ample space above the valve to facilitate easy removal of the valve actuator.

Fit a strainer/filter upstream of the valve to prolong the equipment's life span.



Technical data

Application	Heating systems, ventilation systems
Pressure rating	PN16
Connection	Flanged
Flow characteristic	2-way: A - B = equal percentage
Max. leakage	0% del Kvs
Media	Hot water, cold water, glycol-mixed water (max. 50% glycol)
Media temperature	-5...120°C
Rangeability	100 : 1
Stroke	90°

Material

Body	Cast iron
Ball	Chromed brass CW611N
Flow plate	POM
Circlips	Stainless steel 1.4310
Stem	Stainless steel 1.4305
Seat	PTFE
O-ring	EPDM

2-way valves

Article	Nominal diameter	Kvs
BVH265	DN65	63
BVH280	DN80	100
BVH2100	DN100	160

MAIN OFFICE BRESSANONE

I-39042 Bressanone (BZ) tel: +39 0472 830626
 via Julius-Durst-Str. 50 fax: +39 0472 831840
 VAT No. IT02748450216 www.industrietechnik.it

BVH65 /80/100



Accessories

Article	Description
BVS	Coupling adapter with damper actuators without spring return from 16 to 24 Nm
BVL	Coupling adapter with 15 Nm damper actuators with spring return

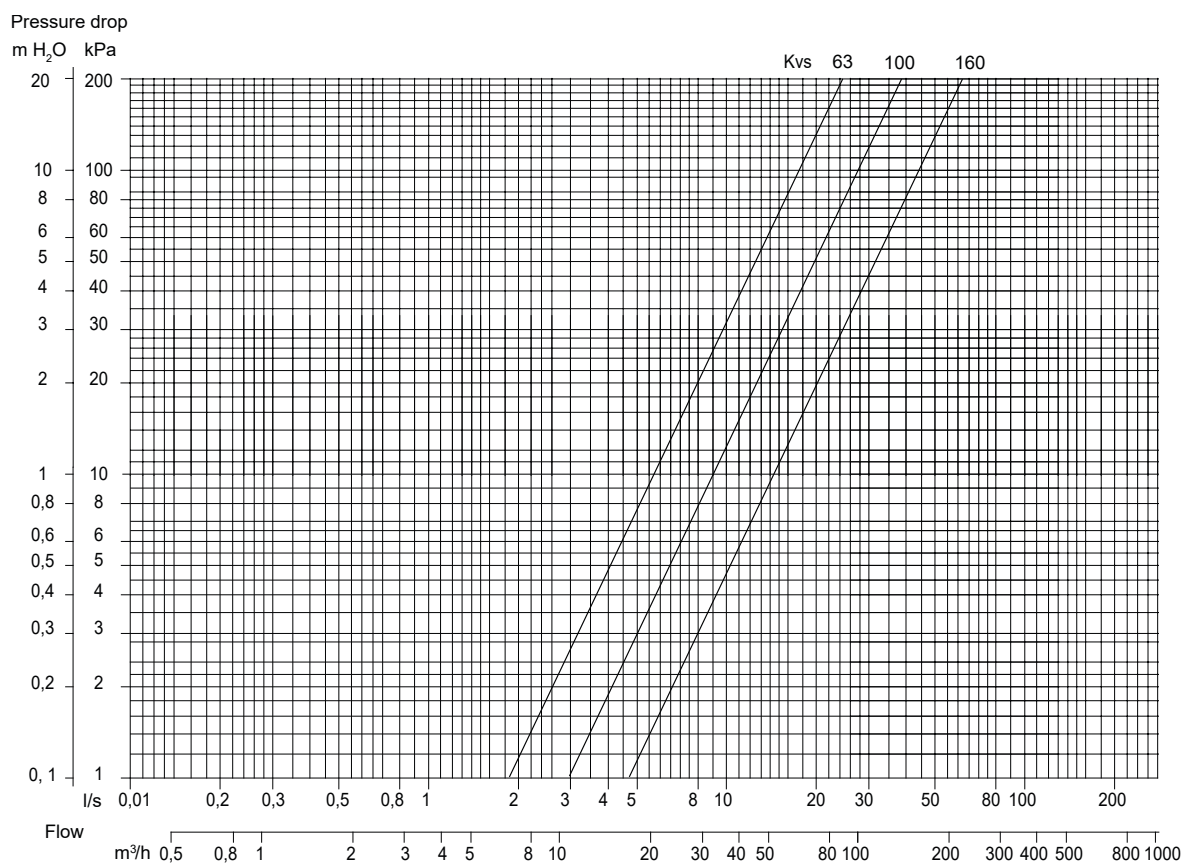
Combination options (valves and actuators) and max diff. pressure

Article	ΔP_s^1	ΔP_{max}^2	ΔP_s^1	ΔP_{max}^2
	DA../DM..., 16 Nm DA..F/DM..F, 15 Nm [kPa]	DA../DM..., 16 Nm DA..F/DM..F, 15 Nm [kPa]	DA../DM..., 24 Nm DA..F/DM..f, 15 Nm [kPa]	DA../DM..., 24 Nm DA..F/DM..F, 15 Nm [kPa]
BVH265	660	350	N/D	N/D
BVH280	660	350	N/D	N/D
BVH2100	N/D	N/D	580	350

1. ΔP_s constitutes the max. permitted differential pressure at which the valve actuators can safely close against the pressure

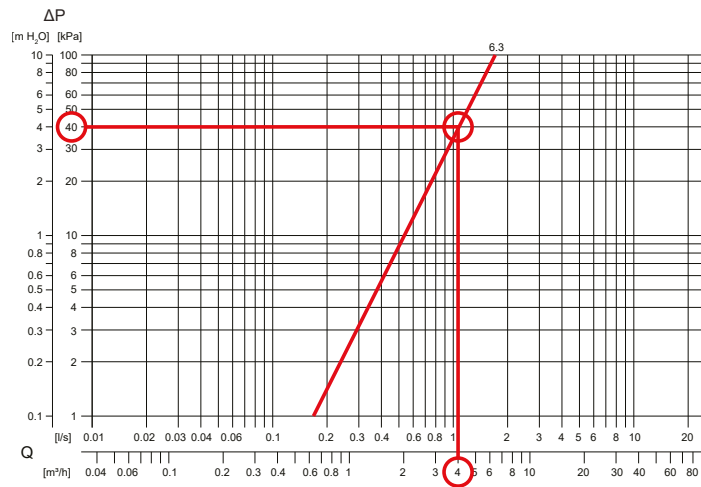
2. ΔP_{max} constitutes the max. permitted differential pressure over the flow path of the valve for the entire actuating range of the actuator (i.e. open value)

Pressure drop curves

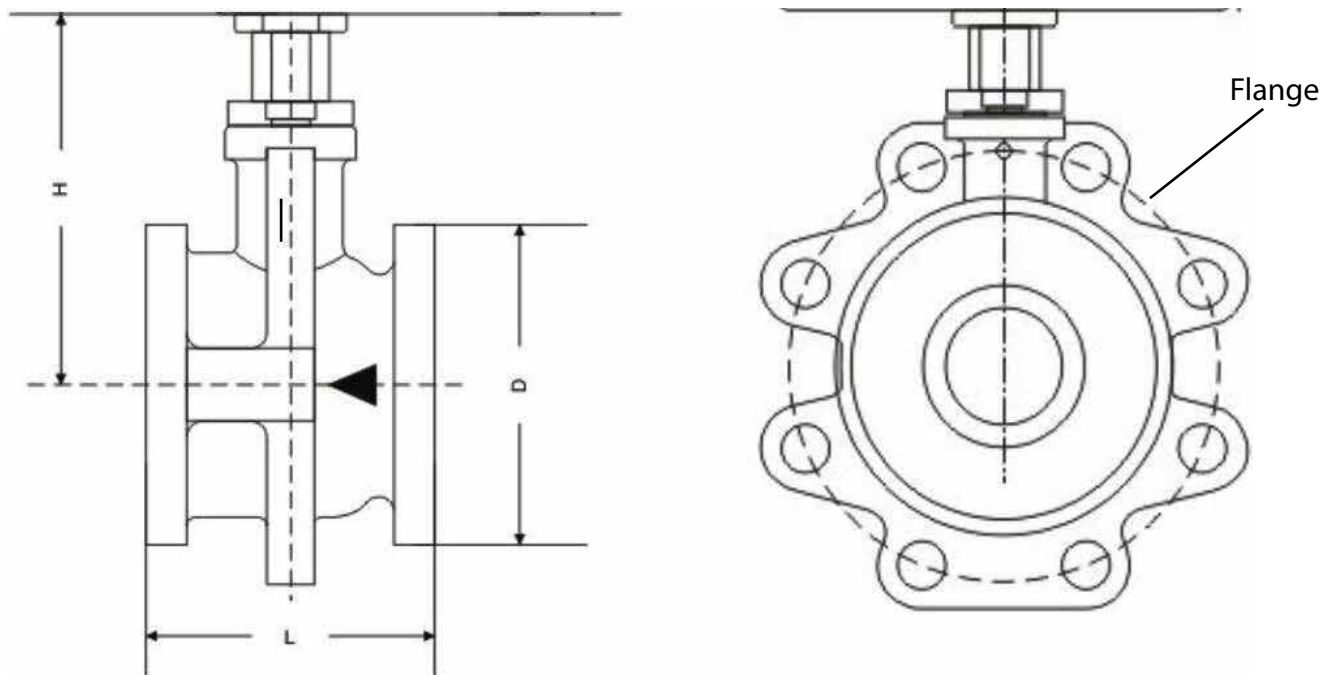


Example, pressure drop curves

If the pressure drop is 40 kPa(A) and the flow is 4m³/h (B), a valve with the kvs value 6.3 (C) is preferably selected. See the marking in the picture below.



Dimensions



Article	Flange	L (mm)	D (mm)	H (mm)	Number and diameters of holes (mm)
BVH265	145	93	105	86	4-18
BVH280	160	108	125	94	8-18
BVH2100	180	120	148	103	8-18

Documentation

All documentation can be downloaded from www.industrietechnik.it.

MAIN OFFICE BRESSANONE

I-39042 Bressanone (BZ) tel: +39 0472 830526
 via Julius-Durst-Str. 50 fax: +39 0472 831840
 VAT No. IT02748450216 www.industrietechnik.it

BVH65 /80/100