



## DAMPER ACTUATORS, 2-, 3-POINT CONTROL (8, 16, 24 Nm)

**DAS, DA, DAL**

### FUNCTION

2- and 3-point damper control.

### APPLICATIONS

Well-suited for applications with dampers (2, 4, 6 m<sup>2</sup>) in ventilation and air handling units.

### CHARACTERISTICS

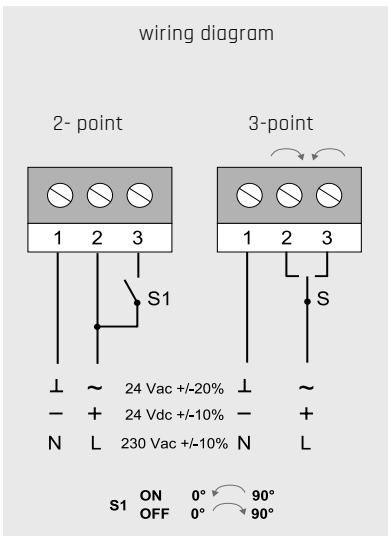
- universal adapter for easy mounting
- shaft dimensions Ø 10...20 mm / 10...16 mm square
- minimum shaft length 50 mm
- anti-rotation bracket
- manual override with push-button
- direction of rotation selectable
- angle of rotation adjustable
- parallel connection up to 10 actuators
- 2 auxiliary microswitches SPDT when requested
- power saving at end stops

TYPE	POWER SUPPLY	TORQUE
<b>DAS24</b>	24 Vac/dc	8 Nm
<b>DAS24S</b>	24 Vac/dc	8 Nm
<b>DAS230</b>	230 Vac	8 Nm
<b>DAS230S</b>	230 Vac	8 Nm
<b>DA24</b>	24 Vac/dc	16 Nm
<b>DA24S</b>	24 Vac/dc	16 Nm
<b>DA230</b>	230 Vac	16 Nm
<b>DA230S</b>	230 Vac	16 Nm
<b>DAL24</b>	24 Vac/dc	24 Nm
<b>DAL24S</b>	24 Vac/dc	24 Nm
<b>DAL230</b>	230 Vac	24 Nm
<b>DAL230S</b>	230 Vac	24 Nm

S models with 2 auxiliary switches

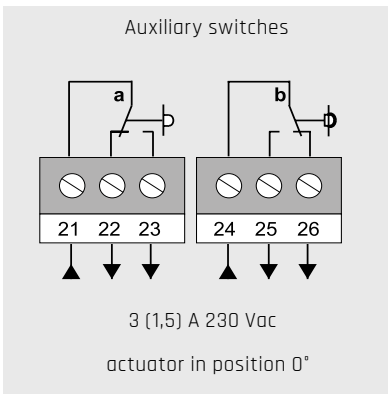
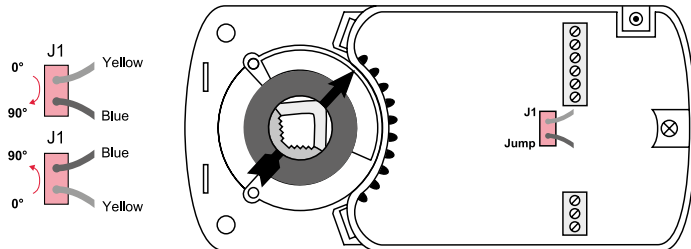
Actuator		<b>DAS24</b>	<b>DA24</b>	<b>DAL24</b>	<b>DAS230</b>	<b>DA230</b>	<b>DAL230</b>
Damper area (*)	m <sup>2</sup>	2	4	6	2	4	6
Torque	Nm	8	16	24	8	16	24
Stroke time	s	30	80	125	30	80	125
Power supply		24 Vac/dc	24 Vac/dc	24 Vac/dc	230 Vac	230 Vac	230 Vac
Frequency	Hz	50...60	50...60	50...60	50...60	50...60	50...60
Power consumption							
- operating	W	3.9	3.9	3.9	4.8	4.8	4.8
- at end stops	W	0.4	0.4	0.4	1.2	1.2	1.2
For wire sizing	VA	6.5	6.5	6.5	6.5	6.5	6.5
Weight	g	1200	1200	1200	1200	1200	1200
Signal control		2-, 3-point	2-, 3-point	2-, 3-point	2-, 3-point	2-, 3-point	2-, 3-point
Aux. switches rating		3(1.5) A 230 Vac					
Rotation angle		90° (93° mechanical)					
- operating		5...85° in 5° steps					
- limitation							
Protection class		II	II	II	II	II	II
Degree of protection		IP44 or IP54 with cable glands					
Room temperature		-30 ... +50°C	-30 ... +50°C	-30 ... +50°C	-30 ... +50°C	-30 ... +50°C	-30 ... +50°C
Room humidity		5...95% r.h.	5...95% r.h.	5...95% r.h.	5...95% r.h.	5...95% r.h.	5...95% r.h.
Noise level		max 45 dB					
Standards		CE	CE	CE	CE	CE	CE

(\*) the indication of the damper area is not significant, the data that must be taken into account is the value of the torque in Nm.



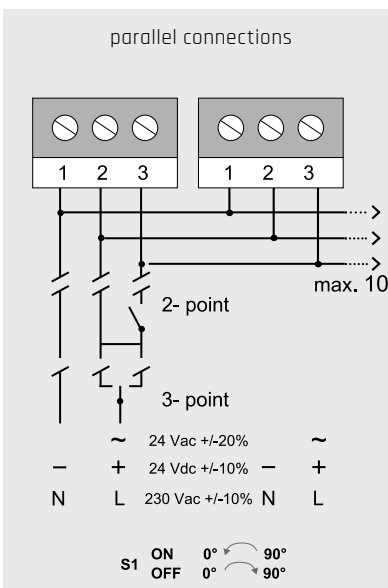
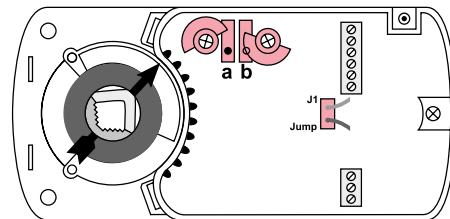
**Direction of rotation setting**

The direction of rotation can be changed by reversing Jumper J1.

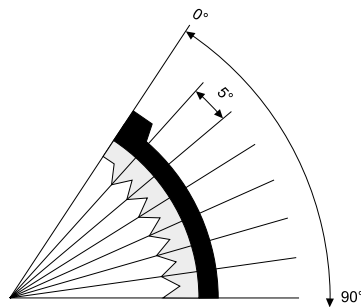


**Auxiliary switches setting**

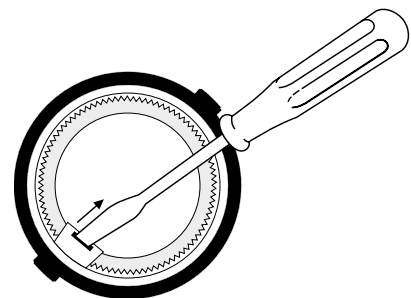
Factory setting:  
 switch a at 10°  
 switch b at 80°  
 The switching position can be changed manually.



**Limitation of rotation angle**



**Adapter release**



**DAMPER ACTUATORS, 2-, 3-POINT CONTROL (8, 16, 24 Nm)**

**DAS, DA, DAL**

**DIMENSIONS (mm)**

