



## SPRING RETURN DAMPER ACTUATORS (10 Nm)

**DATxF**

### FUNCTION

On / Off spring return for fire damper control.  
The actuator opens the damper loading the return spring: when current is cut-off the spring moves the damper in a safe position.

### APPLICATIONS

Well-suited for applications with security dampers used as antifreeze, antismoke or for sealing in the hygienic-sanitary field.

| TYPE            | POWER SUPPLY | SIGNAL CONTROL |
|-----------------|--------------|----------------|
| <b>DAT24F</b>   | 24 V AC/DC   | On/Off         |
| <b>DAT24FS</b>  | 24 V AC/DC   | On/Off         |
| <b>DAT230F</b>  | 230 V AC     | On/Off         |
| <b>DAT230FS</b> | 230 V AC     | On/Off         |

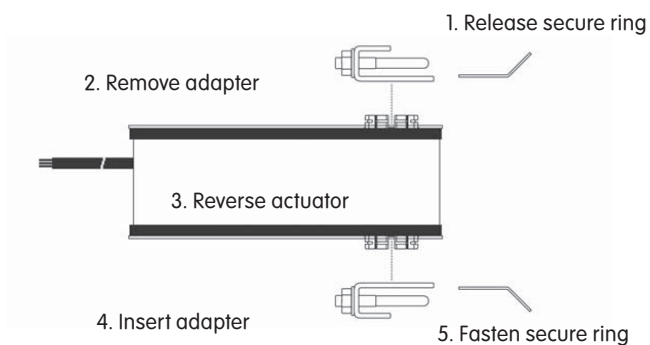
**S** models with 2 fixed auxiliary switches

| Actuator                        | DAT24F                        | DAT230F                       |
|---------------------------------|-------------------------------|-------------------------------|
| Damper area (*)                 | 2 m <sup>2</sup>              | 2 m <sup>2</sup>              |
| Torque                          | 10 Nm                         | 10 Nm                         |
| Power supply                    | 24 V AC/DC                    | 230 V AC ±10%                 |
| Frequency                       | 50...60 Hz                    | 50...60 Hz                    |
| Power consumption               |                               |                               |
| - operating                     | 5.0 W                         | 6.5 W                         |
| - at the end stops              | 2,5 W                         | 2,5 W                         |
| For wire sizing                 | 10 VA                         | 10 VA                         |
| Connection motor                | 1 m, 2 x 0,75 mm <sup>2</sup> | 1 m, 2 x 0,75 mm <sup>2</sup> |
| Connection auxiliary switches   | 1 m, 6 x 0,5 mm <sup>2</sup>  | 1 m, 6 x 0,5 mm <sup>2</sup>  |
| Aux. switches rating (2 x SPDT) | 3(1.5) A 230 V AC             | 3(1.5) A 230 V AC             |
| Running time                    |                               |                               |
| - motor                         | 100 s                         | 100 s                         |
| - spring                        | 25 s                          | 25 s                          |
| Noise level                     | 50 dB (A)                     | 50 dB (A)                     |
| Weight                          | 2300 g                        | 2300 g                        |
| Control signal                  | On/Off                        | On/Off                        |
| Rotation angle                  |                               |                               |
| - working range                 | -5°...+95°                    | -5°...+95°                    |
| Direction of rotation           | bidirectional                 | bidirectional                 |
| Protection class                | III                           | II                            |
| Degree of protection            | IP54                          | IP54                          |
| Room temperature                | -20 ... +50°C                 | -20 ... +50°C                 |
| Room humidity                   | 5...95% r.h.                  | 5...95% r.h.                  |
| Maintenance                     | Free                          | Free                          |
| Standards                       | CE                            | CE                            |

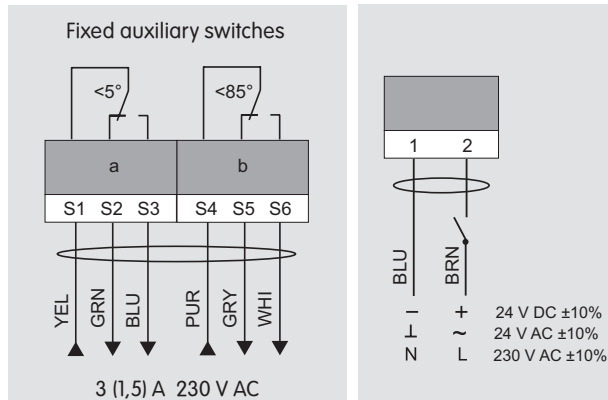
(\*) the indication of the damper area is not significant, the data that must be taken into account is the value of the torque in Nm.



**Direction of rotation setting**



**Wiring diagrams**



**YEL** - yellow  
**GRN** - green  
**BLU** - blue  
**PUR** - purple  
**GRY** - grey  
**WHI** - white

**BLU** - blu  
**BRN** - brown

**Limitation of rotation angle**

For 5° to 45° (see fig. 1)

1. Loosen screw of the mechanical limiter plate.
2. Move the limiter plate to the appropriate position.
3. Tighten the screw.

For 45° to 85° (see fig. 2)

1. Release the secure ring of the adapter.
2. Remove the adapter and turn negative 45° as shown.
3. Insert adapter and secure the adapter ring.
4. Loosen screw of the mechanical limiter plate.
5. Move the limiter plate to the appropriate position.
6. Tighten the screw.

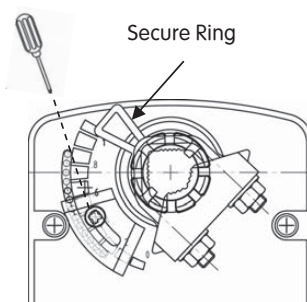


fig. 1

5° to 45° setting

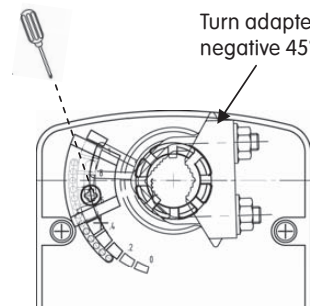


fig. 2

45° to 85° setting

**Dimension (mm)**

