



ROOM CONTROLLERS FOR 2- OR 4-PIPE FAN COILS, ON-OFF

DB-TA-383

FUNCTION

2 or 4-pipe fan coil with 3-speed motor fan control for room temperature application with:

- knob for temperature setting;
- manual selection of thermostatic fan/continuous fan/off
- 3 motor speeds and season changeover;

- internal or remote temperature sensor (optional).

TYPE	VT/VC/OFF	3-SPEED	LOCAL S/W
DB-TA-383-433	•	•	•

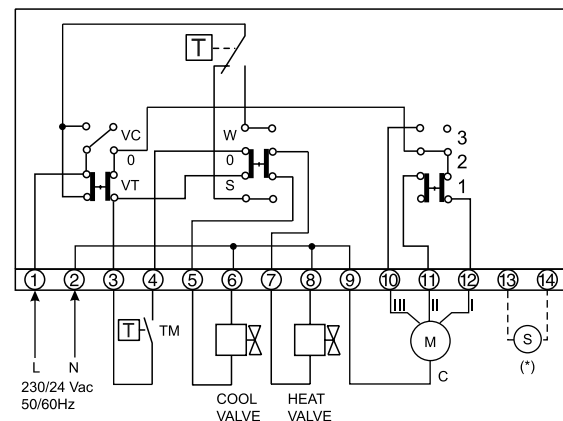
On request:

optional remote 2 m cable sensor, selectable by jumper; ordering code: NT0220-NTC10-02.

TECHNICAL DATA

Power supply:	24/230 Vac \pm 10%, 50/60 Hz (jumpers allow the choice of power supply)
Max load:	6 A
Output:	1 relay SPDT 6 A 230 Vac
Power cons.:	1 W
Sensor:	NTC 10K
Setpoint:	+5...+30 °C; mechanical limitation of the setpoint adjustment
Differential:	0.5 K
Working:	0...+40 °C
Storage:	10...90% r.h. (without condensing) -20...+70 °C < 95 % r.h.
Housing:	ABS fireproof according to UL94 V-0 color (RAL 9010)
Protection:	IP30, class II
Size:	144 x 82 x 34 mm
Weight:	210 g

Terminal connections for 4-pipe air conditioning and heating systems.

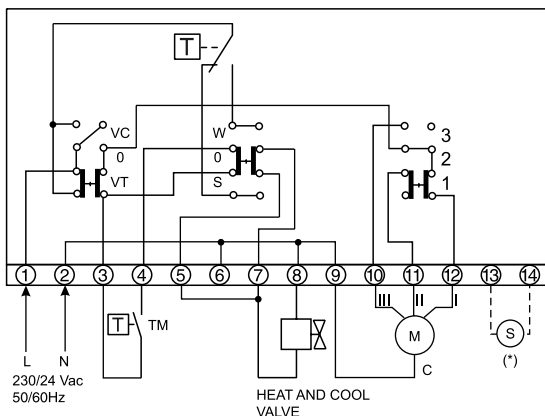


(*) optional remote sensor

TM = minimum thermostat (if this function is not used, connect terminals 3 and 4 together)

WIRING DIAGRAM

Terminal connections for 2-pipe air conditioning and heating systems.



Jumper setting:

- J1 closed = internal sensor
- J2 closed = remote sensor
- J4 closed = power supply 24 Vac, 50/60 Hz
- J5 closed = power supply 230 Vac, 50/60 Hz

The products are factory supplied with internal sensor and 230 Vac jumper setting.

