

DB-TA-385

Room thermostats for 2 or 4-pipe fan coil systems with EC fans



Control of 2 or 4-pipe fan coil units with EC fans for regulating room temperature in heating and cooling applications. While ensuring the desired temperature is maintained, it prioritizes comfort level and energy savings

- Knob for temperature setting
- Manual selection of thermostatic fan/continuous fan/off
- Fan control: 2 fixed or modulating speeds
- Season changeover
- Internal or remote temperature sensor (optional)





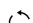




Function

DB-TA-385 series room thermostats are available in two versions, one for 2-pipe fan coil applications and the other for 4-pipe applications. All versions are equipped system On-Off and 2-speed & automatic fan function switches, which are manually controlled from the front cover. Heat/cool changeover operation is also possible only for 2-pipe version.

At the same time, all versions are equipped with a built-in temperature sensor that will automatically adjust the fan speed in automatic mode. For the manual mode two fixed values are available.

Switches and symbols

The regulation is set through front panel via user friendly symbols makes it easy to understand for the end user.

First switch	 Continuous ventilation (independently from temperature)  Fan coil switched off  Thermostatic ventilation
Second switch	 Cooling mode  Only air circulation if "Continuous ventilation" mode is activated  Heating mode
Third switch	AUTO The regulator controls the fan speed automatically between 2 V and 10 V with a proportional band of 0.8 °C  The fan runs at medium speed (5 V)  The fan runs at high speed (10 V)
Regulation knob	 The central position of the knob corresponds to comfort condition (20 °C in heating, 24°C in cooling, only for DB-TA-385-433) or 20°C for DB-TA-385-430. Temperature can be changed by +/- 5 °C rotating the knob from the central position with an angle of +/-90°.

MAIN OFFICE BRESSANONE

I-39042 Bressanone (BZ) tel: +39 0472 830626
 via Julius-Durst-Str. 50 fax: +39 0472 831840
 VAT No. IT02748450216 www.industrietechnik.it

DB-TA-385



Technical data

Supply voltage	85...253 Vac 50/60 Hz
Outputs	Valves: relay 1 A , 230 Vac; Fan: 0...10V Vdc (RL > 10 kOhm) ¹
Power consumption	< 0.8 W
Internal sensor	NTC 10K
Ambient temperature	0...40 °C
Ambient humidity	10...90 % RH (non-condensing)
Setpoint	+15...+25°C (heating)/ +19...+29°C (cooling)
Storage temperature	-20...+70 °C
Storage humidity	< 95 % RH
Weight	210 g
Dimensions	144 x 82 x 37 mm
Protection class	IP30
Isolation class	II
Neutral zone for the mode DB-TA-385-430	Selectable from 1 to 4 degrees

¹ 2 relays for DB-TA-385-430, 1 A, 230 Vac

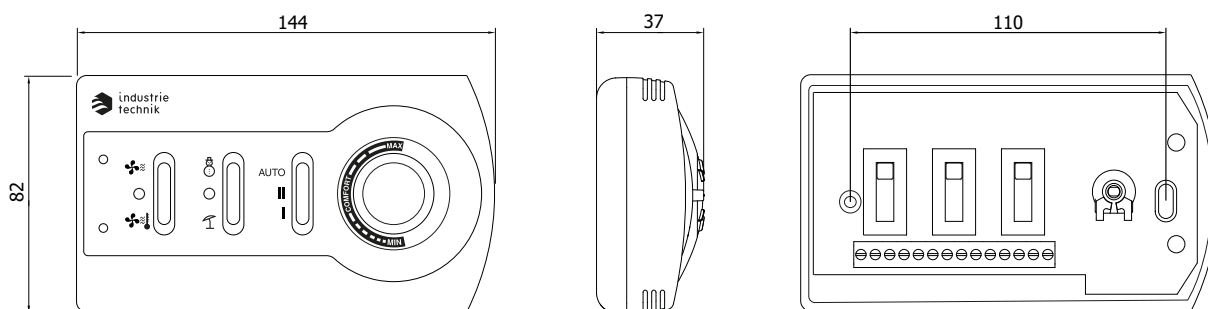


This product carries the CE-mark. More information is available at www.industrietechnik.it.

Models

Model	VT \VC\ OFF	EC fan control	Heat/Cool changeover	Application	Valve control
DB-TA-385-433	●	●	●	2-pipe systems	1 relay
DB-TA-385-430	●	●		4-pipe systems	2 relays

Dimensions



[mm]

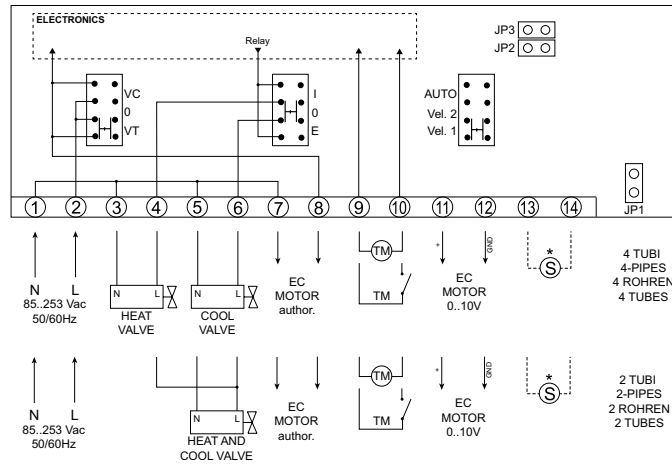
MAIN OFFICE BRESSANONE

I-39042 Bressanone (BZ) tel: +39 0472 830626
 via Julius-Durst-Str. 50 fax: +39 0472 831840
 VAT No. IT02748450216 www.industrietechnik.it

DB-TA-385

Wiring and jumper settings

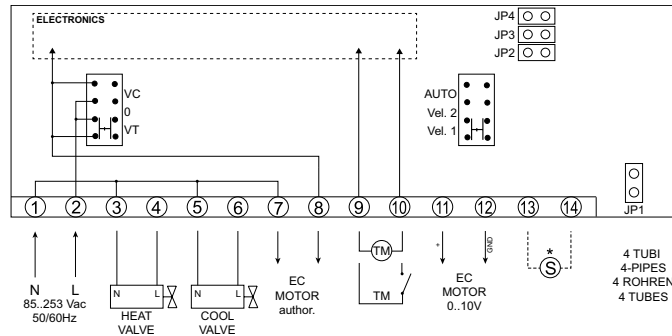
DB-TA-385-433



JP1	closed	internal sensor
JP1	opened	remote sensor
JP2	closed	with air mixing cycle
JP2	opened	without air mixing cycle

Factory setting: JP1 closed, JP2 opened, JP3 do not modify

DB-TA-385-430



JP1	closed	internal sensor		
JP1	opened	remote sensor		
JP2	closed	with air mixing cycle		
JP2	opened	without air mixing cycle		
JP3	-	●	●	-
JP4	-	-	●	●
Neutral zone	1°C	2°C	3°C	4°C

Factory settings: JP1 closed, JP2, JP3 and JP4 opened

(*) = Remote sensor (optional), type: NT0220-NTC10-02.

Warning: pay attention to keep the sensor cables far from the power cables and EMI disturb sources. Use H05VC-K cable for pipe mounting or H05VC-F otherwise.

Documentation

All documentation can be downloaded from www.industrietechnik.it.

MAIN OFFICE BRESSANONE

I-39042 Bressanone (BZ) tel: +39 0472 830626
 via Julius-Durst-Str. 50 fax: +39 0472 831840
 VAT No. IT02748450216 www.industrietechnik.it

DB-TA-385