



DBAT

Clamp-on thermostats, IP65

Serie of clamp-on thermostats IP65 for use in cooling, heating and ventilation systems.

- Wide setpoint range
- Adjustable hysteresis
- Protection class IP65
- Breaking capacity 15 A at 230 V AC

Function

The DBAT electromechanical thermostats are made of two parts: a fluid filled capillary tube and a housing containing the sensor that transmits temperature variations to a micro-switch with SPDT contacts. The micro-switch is capable of interrupting up to 15 A at 230 V AC.

Each model also has a sensor element and mounting clamp for direct fixing on a pipe.

Features

HYSTERESIS

The thermostat have adjustable hysteresis 2...20 K.

SETPOINT ADJUSTMENT

Models are available with setpoint adjustment via a knob mounted on the cover of the unit. It is also possible to recalibrate the scale using the hexagonal nut under the knob.

MAIN OFFICE BRESSANONE

I-39042 Bressanone (BZ)
via Julius-Durst-Str. 70
VAT No. IT02748450216

tel: +39 0472 830626
fax: +39 0472 831840
www.industrietechnik.it

DBAT

- 1 -

Technical data

Sensor element	Liquid-filled coiled copper bulb
Contacts	Dust-tight microswitches with SPDT contacts (heat/cool)
Breaking capacity	15 (8) A, 24...250 V AC
Ambient temperature	-35...+65 °C
Ambient humidity	10...90 % RH (non-condensing)
Storage temperature	-40...+70 °C
Storage humidity	< 95 % RH
Weight	410g
Protection class	IP65
Isolation class	I

Material

Casing	Base in Bayblend®, cover in ABS
---------------	---------------------------------

Models

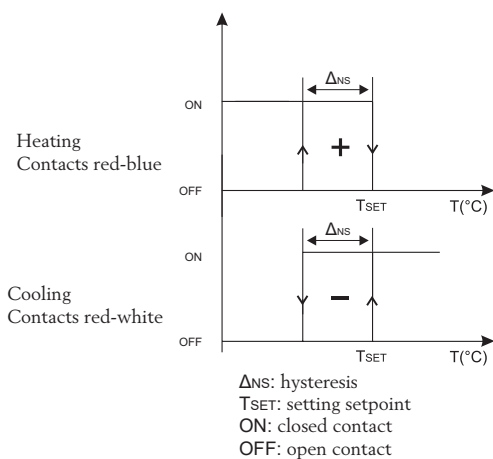
Article	Temperature range	Max. bulb temperature	Hidden setpoint	Hysteresis
DBAT-3	0...60 °C	75 °C	-	2...20 K
DBAT-3U	0...60 °C	75 °C	X	2...20 K
DBAT-5	20...90 °C	90 °C	-	2...20 K
DBAT-5U	20...90 °C	90 °C	X	2...20 K

CE

Low Voltage Directive (LVD): This product conforms to the requirements of the European Low Voltage Directive (LVD) 2014/35/EU through product standards EN 60335-1.

RoHS: This product conforms to the Directive 2011/65/EU of the European Parliament and of the Council through standard EN 50581:2012.

Logic activation



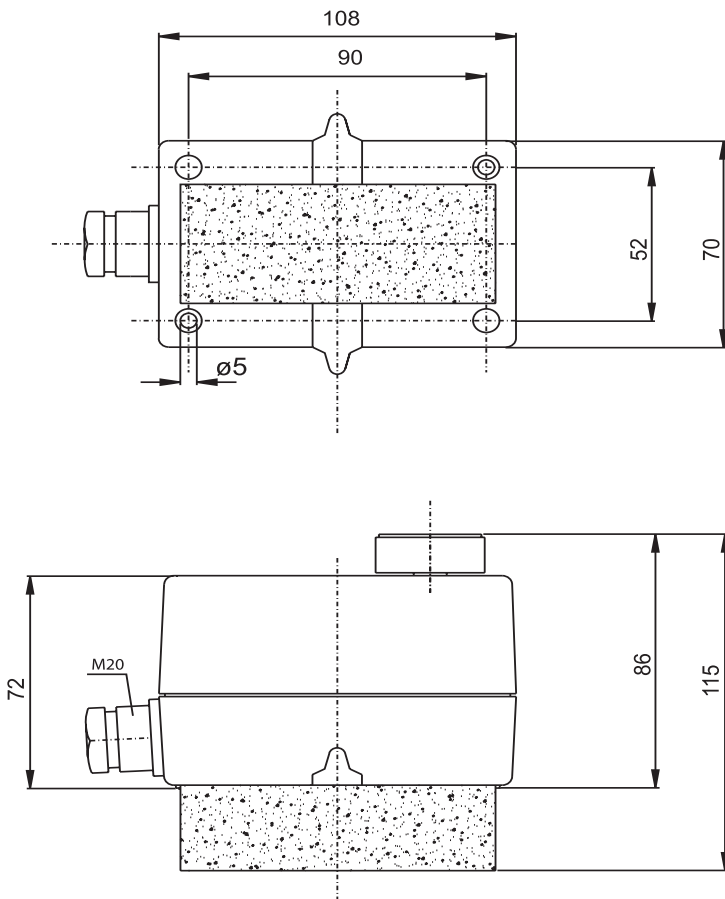
MAIN OFFICE BRESSANONE

I-39042 Bressanone (BZ)
 via Julius-Durst-Str. 70
 VAT No. IT02748450216

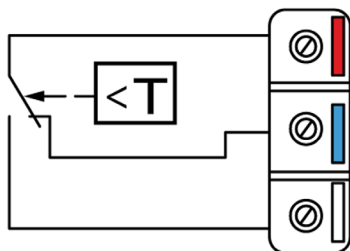
tel: +39 0472 830626
 fax: +39 0472 831840
 www.industrietechnik.it

DBAT

Dimensions



Wiring



Heating: Connect to the red and blue terminal. The contact will open when the temperature rises.

Cooling: Connect to the red and white terminal. The contact will open when the temperature drops.

Documentation

Document	Description
Instruction DBAT_inst_it_en	Instructions for installation

The product documentation can be downloaded from www.industrietechnik.it

MAIN OFFICE BRESSANONE

I-39042 Bressanone (BZ)
via Julius-Durst-Str. 70
VAT No. IT02748450216

tel: +39 0472 830626
fax: +39 0472 831840
www.industrietechnik.it

DBAT

- 3 -