



# DBET

Wall thermostats, IP65

*Serie of wall thermostats IP65 for use in cooling, heating and ventilation systems.*

- Wide setpoint range
- Adjustable or fixed hysteresis
- Protection class IP65
- Breaking capacity 15 A at 230 V AC
- 2-step design available

## Function

The MTIC electro-mechanical thermostats are constructed around a **fluid-filled** capillary tube and sensor housing that transfers the changes in temperature to a micro-switch. The micro-switch is capable of breaking up to 15 A at 230 V AC.

It comes in a 1-step or 2-step model.

## Features

### HYSTERESIS

1-step models are available featuring either **fixed** or adjustable hysteresis.

2-step models have **fixed** hysteresis.

### STEP DIFFERENTIAL

In the 2-step thermostats, the step differential can be adjusted 2...5 K.

### SETPOINT ADJUSTMENT

The thermostat is available with a setpoint adjustment knob on the outside or under the cover. It is also possible to recalibrate the scale using the hexagonal nut under the knob.

#### MAIN OFFICE BRESSANONE

I-39042 Bressanone (BZ)  
via Julius-Durst-Str. 70  
VAT No. IT02748450216

tel: +39 0472 830626  
fax: +39 0472 831840  
www.industrietechnik.it

DBET

- 1 -

## Technical data

<b>Sensor element</b>	Liquid-filled coiled copper bulb
<b>Contacts</b>	Duts-tight microswitches with SPDT contacts (heat/cool)
<b>Breaking capacity</b>	15 (8) A, 24...250 V AC
<b>Max bulb temperature</b>	65 °C
<b>Ambient temperature</b>	-35...+60 °C
<b>Ambient humidity</b>	10...90 % UR (non condensing)
<b>Storage temperature</b>	-40...+65 °C
<b>Storage humidity</b>	< 95 % UR
<b>Dimensions</b>	108 x 70 x 72 mm
<b>Weight</b>	450g
<b>Protection class</b>	IP65
<b>Isolation class</b>	I

## Material

<b>Casing</b>	Base in Bayblend®, cover in ABS
---------------	---------------------------------

## Models

Article	Temperature range	Steps	Hysteresis	Step differential	Hidden setpoint
DBET-22	-30...+30 °C	1	2...15 K	-	-
DBET-22U	-30...+30 °C	1	2...15 K	-	X
DBET-22/2	-30...+30 °C	2	1 K	2...5 K	-
DBET-22/2U	-30...+30 °C	2	1 K	2...5 K	X
DBET-23	-30...+30 °C	1	1 K	-	-
DBET-23U	-30...+30 °C	1	1 K	-	X
DBET-26	0...60 °C	1	2...15 K	-	-
DBET-26U	0...60 °C	1	2...15 K	-	X
DBET-26/2	0...60 °C	2	1 K	2...5 K	-
DBET-26/2U	0...60 °C	2	1 K	2...5 K	X
DBET-27	0...60 °C	1	1 K	-	-
DBET-27U	0...60 °C	1	1 K	-	X

## CE

**Low Voltage Directive (LVD):** This product conforms to the requirements of the European Low Voltage Directive (LVD) 2014/35/EU through product standards EN 60335-1.

**RoHS:** This product conforms to the Directive 2011/65/EU of the European Parliament and of the Council through standard EN 50581:2012.

### MAIN OFFICE BRESSANONE

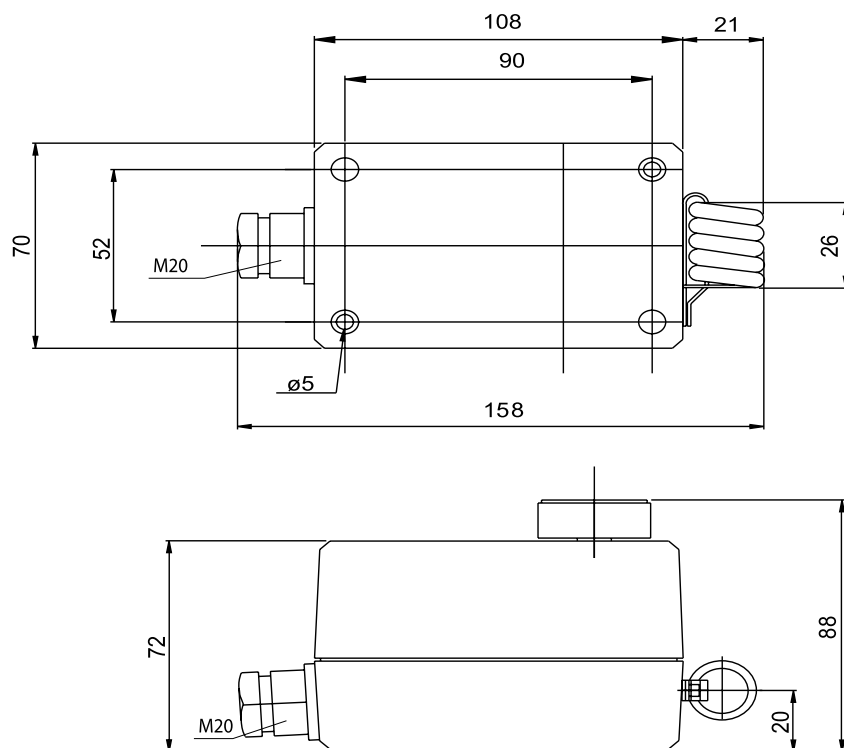
I-39042 Bressanone (BZ)  
via Julius-Durst-Str. 70  
VAT No. IT02748450216

tel: +39 0472 830626  
fax: +39 0472 831840  
www.industrietechnik.it

DBET

- 2 -

## Dimensions



Measurements in mm

## Wiring

### 1-step model

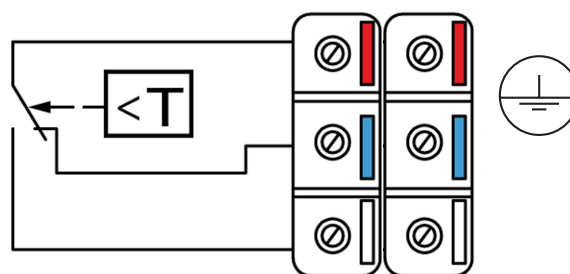
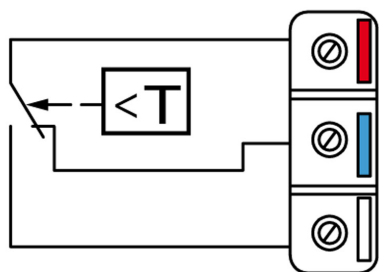
**Heating:** Connect to the red and blue terminal. The contact will open when the temperature rises.

**Cooling:** Connect to the red and white terminal. The contact will open when the temperature drops.

### 2-steps models

**Heating:** Connect to the red and blue terminal. The contact will open when the temperature rises. The step 2 contact will open first followed by the step 1 contact.

**Cooling:** Connect to the red and white terminal. The contact will open when the temperature drops. The step 2 contact will open first when the temperature drops, followed by the step 1 contact.



### MAIN OFFICE BRESSANONE

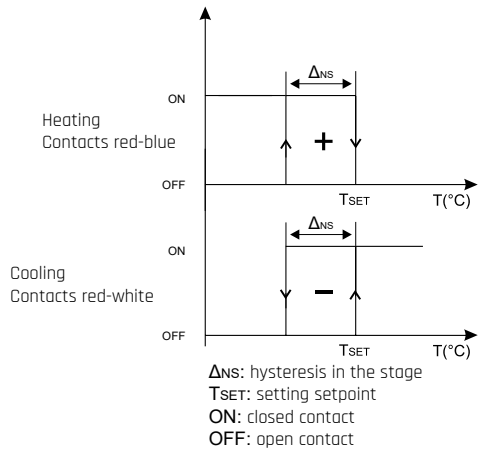
I-39042 Bressanone (BZ)  
via Julius-Durst-Str. 70  
VAT No. IT02748450216

tel: +39 0472 830626  
fax: +39 0472 831840  
www.industrietechnik.it

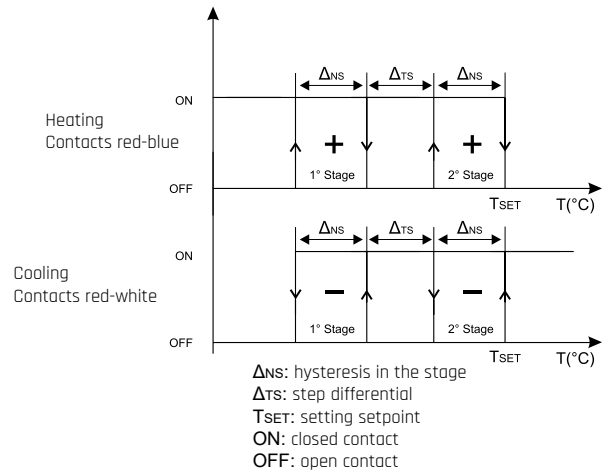
DBET

- 3 -

## Logic activation single-stage models



## Logic activation two-stage models



## Documentation

Document	Description
Instruction DBET_AMB_inst_it_en	Instructions for installation

The product documentation can be downloaded from [www.industrietechnik.it](http://www.industrietechnik.it)

### MAIN OFFICE BRESSANONE

I-39042 Bressanone (BZ)  
 via Julius-Durst-Str. 70  
 VAT No. IT02748450216

tel: +39 0472 830626  
 fax: +39 0472 831840  
[www.industrietechnik.it](http://www.industrietechnik.it)

DBET

- 4 -