

INSTRUCTION DBL



IN20091 REV. A, 2023-12-22

Caution! Read and understand the instruction before using the product.

Warning! Before installation or maintenance, the power supply must first be disconnected in order to prevent potentially lethal electric shocks! Installation or maintenance of this unit should only be carried out by qualified personnel. The manufacturer is not responsible for any eventual damage or injury caused by inadequate skills during installation, or through removal of or deactivation of any safety devices.

Application

DBL is an air pressure differential switch suitable for controlling of gaseous and non aggressive medias in filters, fans, air ducts, air conditioning and ventilation systems. It is particularly effective for the monitoring and the security in air conditioning systems for the signalling low pressure on fans and filter obstructions. This product is applicable in non aggressive and non-inflammable air and gas rooms.

Technical Data

Humidity	10...90 % rh, non-condensing
Ambient temperature	-20...+85 °C
Max. overload pressure	10 kPa
Switch capacity	Over 10 ⁶ switching operations
Protection class	IP54 or IP65
Protection class	II

Pressure connection	Connection pipes for 6 mm tube P1 (+) connects to higher pressure, P2 (-) to lower pressure
Housing	PS
Diaphragm	silicone (LSR)

Installation

Switching pressure specifications apply to vertical installation which is also the recommended position with pressure pipe connections pointing downwards. If the switches are installed horizontally with AMP connection terminals uppermost, the switching values are 0,2 mbar higher. P1 connection of higher pressure or lower vacuum. P2 connection of lower pressure or higher vacuum.

Wiring

The contacts 3 - 1 opens when pressure / differential pressure increases to the setting value. The contacts 3 - 2 closes simultaneously (signal).

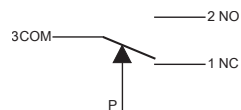


Fig.1. Wiring contacts.

Models

Model	Range	Differential	Max pressure
DBL-205A	0,3 - 4,0 mbar (30...400Pa)	0,15 mbar ± 15%	100 mbar
DBL-205B	0,5 - 5,0 mbar (50...500Pa)	0,2 mbar ± 15%	100 mbar
DBL-205C	0,2 - 3 mbar (20...300Pa)	0,1 mbar ± 15%	100 mbar
DBL-205D	2 - 10 mbar (200...1000Pa)	1,0 mbar ± 15%	100 mbar
DBL-205E	5 - 25 mbar (500...2500Pa)	2,5 mbar ± 15%	100 mbar
DBL-205G	1 - 10 mbar (100...1000Pa)	0,5 mbar ± 15%	100 mbar
DBL-205H	10 - 50 mbar (1000...5000Pa)	2,5 mbar ± 15%	100 mbar

Accessories

DBZ-06	Connection kit with 2 PVC duct connectors, 2 m flexible PVC tube 5 x 8 and 4 screws
DBZ-14A	Mounting bracket and screws
DBZ-14B	Mounting bracket and screws

Dimensions

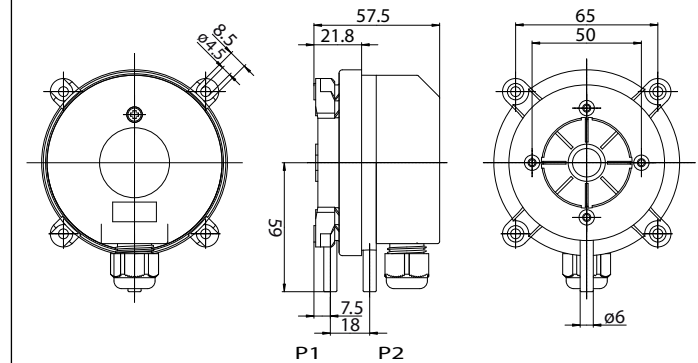


Fig.2. Dimensions pressure switch.

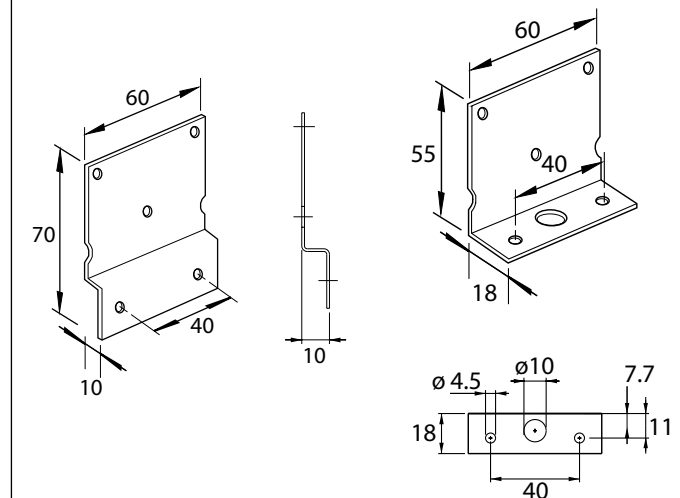


Fig.3. Dimensions mounting bracket.



This product carries the CE-mark. More information is available at www.industrietechnik.it.

Contact

AB Industrietechnik SRL, Via Julius-Durst-Str. 50, I-39042 Bressanone (BZ)
Tel: +39 0472 830626, Fax: +39 0472 831840
www.industrietechnik.it, info@industrietechnik.it