



DBTV

Immersion thermostats, IP65

Serie of immersion thermostats IP65 for use in cooling, heating and ventilation systems.

- Wide setpoint range
- Fixed hysteresis
- Protection class IP65
- Breaking capacity 15 A at 230 V AC

Function

The DBTV electromechanical thermostats are made of two parts: a fluid filled capillary tube and a housing containing the sensor that transmits temperature variations to a micro-switch with SPDT contacts. The micro-switch is capable of interrupting up to 15 A at 230 V AC.

DBTV is intended for use in temperature control in water pipes for heating or cooling, as well as in air conditioning, boiler and heating systems.

Features

SETPOINT ADJUSTMENT

Models are available with setpoint adjustment via a knob mounted on the cover of the unit. It is also possible to recalibrate the scale using the hexagonal nut under the knob.

MAIN OFFICE BRESSANONE

I-39042 Bressanone (BZ)
via Julius-Durst-Str. 70
VAT No. IT02748450216

tel: +39 0472 830626
fax: +39 0472 831840
www.industrietechnik.it

DBTV

- 1 -

Technical data

Sensor element	Liquid-filled coiled copper bulb
Contacts	Dust-tight microswitches with SPDT contacts (heat/cool)
Breaking capacity	15 (8) A, 24...250 VAC
Ambient temperature	-35...+65 °C
Ambient humidity	10...90 % RH (non-condensing)
Protection class	IP65
Isolation class	I
Weight	440g
Storage temperature	-40...+70 °C
Storage humidity	< 95 % RH

Material

Casing	Base in Bayblend®, cover in ABS
---------------	---------------------------------

Models and accessories

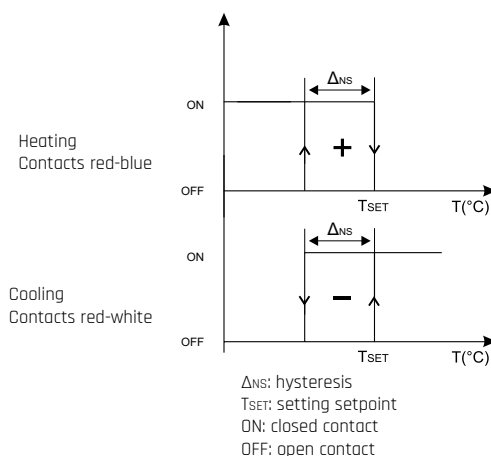
Article	Temperature range	Hysteresis	Max. bulb temperature	Hidden setpoint
DBTV-1	-30...+30 °C	2...20 K	60 °C	-
DBTV-2U	-30...+30 °C	1 K	60 °C	X
DBTV-7	0...60 °C	2...20 K	75 °C	-
DBTV-7U	0...60 °C	2...20 K	75 °C	X
DBTV-8	0...60 °C	1 K	75 °C	-
DBTV-8U	0...60 °C	1 K	75 °C	X
DBTV-11	50...120 °C	1 K	140 °C	-
DBTV-16	20...90 °C	2...20 K	100 °C	-
DBTV-17	20...90 °C	1 K	100 °C	-
DBTV-17U	20...90 °C	1 K	100 °C	X
DBTV-18	20...90 °C	Manual maximum reset	100 °C	-
DBTV-18U	20...90 °C	Manual maximum reset	100 °C	X
	Description			
DBZ-16/14	Brass pocket 120mm, Øexternal 10mm, Øinternal 8,5mm, connection R 1/2"			
DBZ-17/14	Stainless steel pocket AISI 304 120mm, Øexternal 10mm, Øinternal 8,5mm, connection R 1/2"			

CE

Low Voltage Directive (LVD): This product conforms to the requirements of the European Low Voltage Directive (LVD) 2014/35/EU through product standards EN 60335-1.

RoHS: This product conforms to the Directive 2011/65/EU of the European Parliament and of the Council through standard EN 50581:2012.

Logic activation



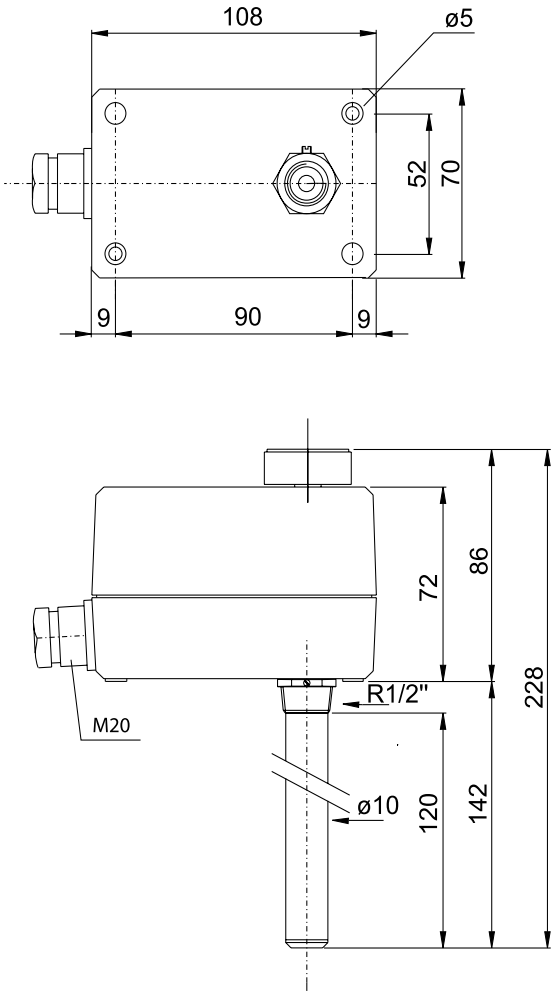
MAIN OFFICE BRESSANONE

I-39042 Bressanone (BZ)
 via Julius-Durst-Str. 70
 VAT No. IT02748450216

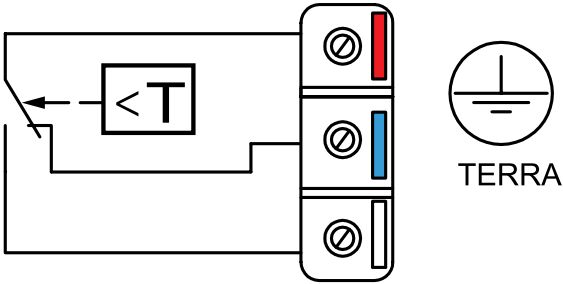
tel: +39 0472 830626
 fax: +39 0472 831840
 www.industrietechnik.it

DBTV

Dimensions



Wiring



Heating: Connect to the red and blue terminal. The contact will open when the temperature rises.
Cooling: Connect to the red and white terminal. The contact will open when the temperature drops.

Documentation

Document	Description
Instruction DBTV_inst_it_en	Instructions for installation

The product documentation can be downloaded from www.industrietechnik.it

.....
MAIN OFFICE BRESSANONE

I-39042 Bressanone (BZ)
 via Julius-Durst-Str. 70
 VAT No. IT02748450216

tel: +39 0472 830626
 fax: +39 0472 831840
 www.industrietechnik.it

DBTV