

ED-RUD

Flush-mounted room unit intended for use as a display for more advanced controllers



Slim flush-mounted room unit with backlit touch display. Intended either for Plug'n Play with Regin's room controllers Regio^{Eedo}, Regio^{Ardo} or together with any Modbus master controller.

- ✓ Flush-mounted room unit
- ✓ Touch display
- ✓ Plug'n Play to dedicated Regin controllers
- ✓ Flexible to use with any Modbus master controller
- ✓ Compatible with Regio Two room function

Application

This user-friendly room unit with touch display and temperature sensor is suitable for all types of indoor environments. It has an appealing design and can be used with any Modbus master controller. Together with Regin's controllers Regio^{Eedo}, Regio^{Ardo} no configuration is required - just Plug'n Play.

Function

The display can be used to control fan-speed, temperature and manual change over. The large LCD touch screen displays the room status and it is also used to access all parameters, such as setpoint, fan speed etc. When used with the Regio Two room function, it is required to use two units of the same kind.

Installation

The room unit is installed indoors on a wall, on an EU standard wall mounting box. It is easily connected to the supply voltage as well as the Modbus master controller via the push-in terminal block.

HEAD OFFICE SWEDEN

Phone: +46 31 720 02 00
 Web: www.regincontrols.com
 E-mail: info@regincontrols.com

ED-RUD

— | —

Technical data

General data

Supply voltage	24 V AC/DC (22...26 V AC/DC)
Power consumption	60 mA
Protection class	IP30
Ambient humidity	10...90 % RH (non-condensing)
Ambient temperature	0...50 °C
Storage temperature	-20...+70 °C
Cable connection	Terminal block, push-in. Max. 1.5 mm ² (AWG 16)
Mounting	Room (flush-mounted with screw distance cc 60 mm)
Display	Built-in
Display type	LED-backlit LCD
Dimensions, external (WxHxD)	95 x 95 x 23 mm
Weight	0.18 kg

Serial port data

Serial port	1
Port type	RS485
Supported protocol	Modbus (RTU)
Communication speed	38400 bps (4800...38400 bps)
Parity	Even (Even, Odd, None)
Stop bit	1 (1 or 2)



This product carries the CE-mark. More information is available at www.regincontrols.com.

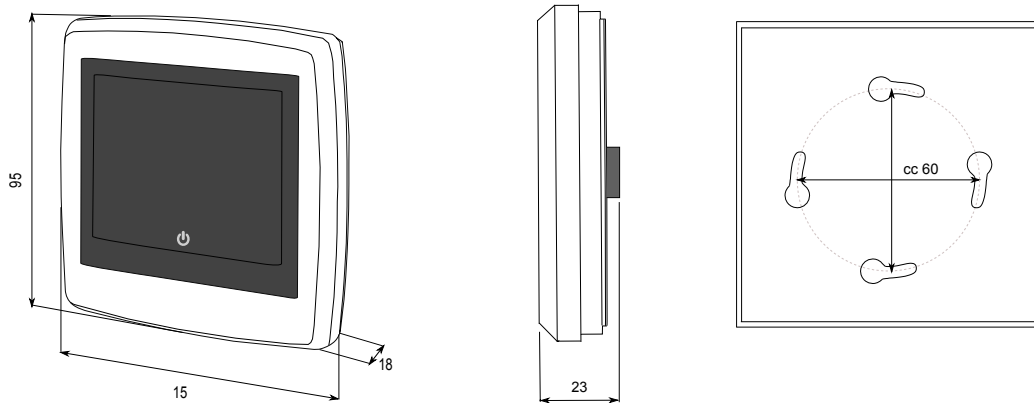
Material

Material, housing and base	Polycarbonate, PC
Material, fire resistance	UL 94 V-0
Colour, housing and base	Signal white RAL 9003

Accessories

Article	Description
E-Cable2-USB	PC-cable for communication, with USB connection
ConverterTCP	Serial adapter for Modbus, RS485 to TCP
EDSP-K3/...-K10	Cable for connecting the display to the controller

Dimensions



[mm]

Documentation

All documentation can be downloaded from www.regincontrols.com.