

FMK2

Front mounting kit for DIN mounting



This front mounting kit enables controllers to be placed in harsh environments.

- ✓ IP55
- ✓ For controllers up to 12 modules wide

FUNCTION

DIN-mounted controllers that are up to 12 modules wide can be mounted in this kit. It protects the controller in harsh environments due to its high protection class (IP55).

INSTALLATION

FMK2 is front mounted and used for installations in cabinets. DIN-rail, nuts and bolts are included.

HEAD OFFICE SWEDEN

Phone: +46 31 720 02 00
Web: www.regincontrols.com
E-mail: info@regincontrols.com

FMK2

— | —

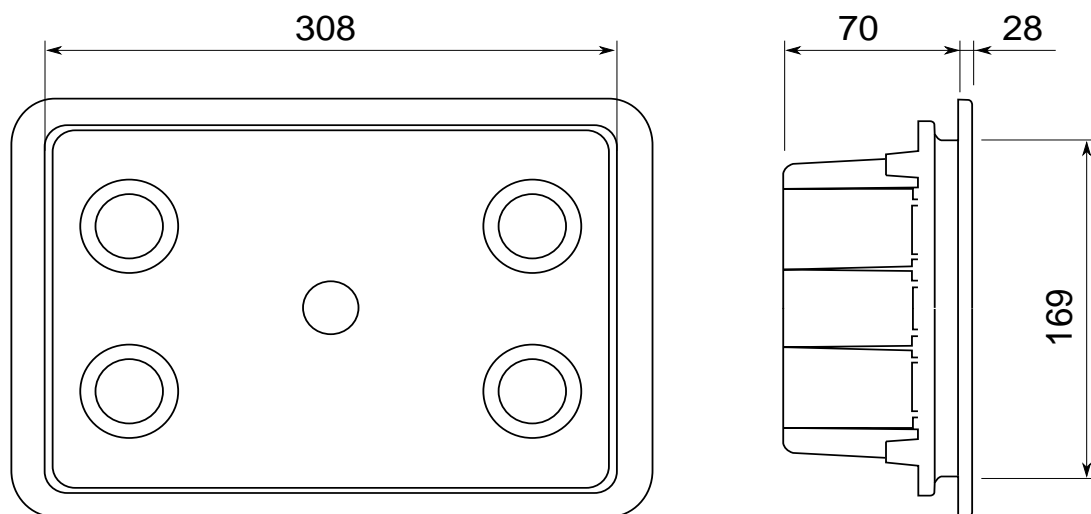
TECHNICAL DATA

Protection class	IP55
Mounting	Front mounted
Number of modules	12
Weight (incl. packaging)	0.87 kg
Dimensions, external (WxHxD)	308x169x70 mm



This product carries the CE-mark. More information is available at www.regincontrols.com.

DIMENSIONS



[mm]

DOCUMENTATION

All documentation can be downloaded from www.regincontrols.com.