

OptigoArdo

Simple stand-alone ventilation controller



READY STEADY GO

Simple and versatile stand-alone ventilation controller without communication. Fast and easy to install, commission and control with predefined applications for ventilation.

- ✓ Supply voltage 24 V
- ✓ Easy installation: Connect the controller, select a configuration and start up
- ✓ Very versatile with many control modes and additional functions such as CO₂ control.
- ✓ Configurable with predefined configurations

Application

OptigoArdo is intended for control of ventilation applications in buildings. The controller can be used for different types of ventilation control, such as control of fan levels, CO₂, and fire.

An overview of all connection options are shown in the table under *Models*.

The configuration is done in the internal display by using the buttons on the front of the controller. Simply select the suitable configuration for your application in the display menu, confirm set parameters and commission the controller.

OptigoArdo has been developed in accordance to our Ready-Steady-Go concept, simplifying every step from installation to management.

Function

The OptigoArdo controller is a stand-alone ventilation controller without communication. It is made for smaller applications and is easy to install and configure with predefined configurations.

Installation

The controller is installed on a DIN-rail.

HEAD OFFICE SWEDEN

Phone: +46 31 720 02 00

Web: www.regincontrols.com

E-mail: info@regincontrols.com

OptigoArdo

— 1 (3) —

REGIN
THE CHALLENGER

Technical data

Supply voltage	24 V AC (21...27 V AC 50...60 Hz) / 20...36 V DC
Protection class	IP20
Ambient temperature	0...50 °C
Storage temperature	-20...+70 °C
Ambient humidity	Max 95 % RH
Mounting	DIN-rail
Number of modules	8.5
Display type	Backlit (LCD), 4 rows of 20 characters
Configuration	PT1000/Ni1000/Ni1000LG/0-10V
Operating system	EXOrealC
Clock	Real-time clock
Memory backup	Backup of memory and real-time clock function
Battery backup	CR2032 replaceable Lithium cell
Battery life	Min. 5 years
Dimensions, external (WxHxD)	149 x 121 x 60 mm
Weight (incl. packaging)	0.41 kg

Inputs

Analogue inputs (AI)	For PT1000 or Ni1000 sensors (accuracy $\pm 0,4$ °C) or 0...10 V DC (Accuracy $\pm 0,115$ % of full output signal). 12 bit resolution in the A/D conversion.
Digital inputs (DI)	For potential-free contacts
Universal inputs (UI)	Can be configured to function as either analogue input or digital input.

Outputs

Analogue outputs (AO)	0...10 V DC, 5 mA, short-circuit proof
Digital outputs (DO)	Mosfet outputs, 24 V AC or DC, 2A continuous. Max. 8 A in total

Ethernet port data

Port type	Ethernet
Default protocol	EXOline-TCP
Supported protocols	EXOline-TCP



This product carries the CE-mark. More information is available at www.regincontrols.com.

Material

Material, housing	Polycarbonate (PC)
Material, base	Polycarbonate (PC)

HEAD OFFICE SWEDEN

Phone: +46 31 720 02 00

Web: www.regincontrols.com

E-mail: info@regincontrols.com

OptigoArdo

— 2 (3) —


THE CHALLENGER

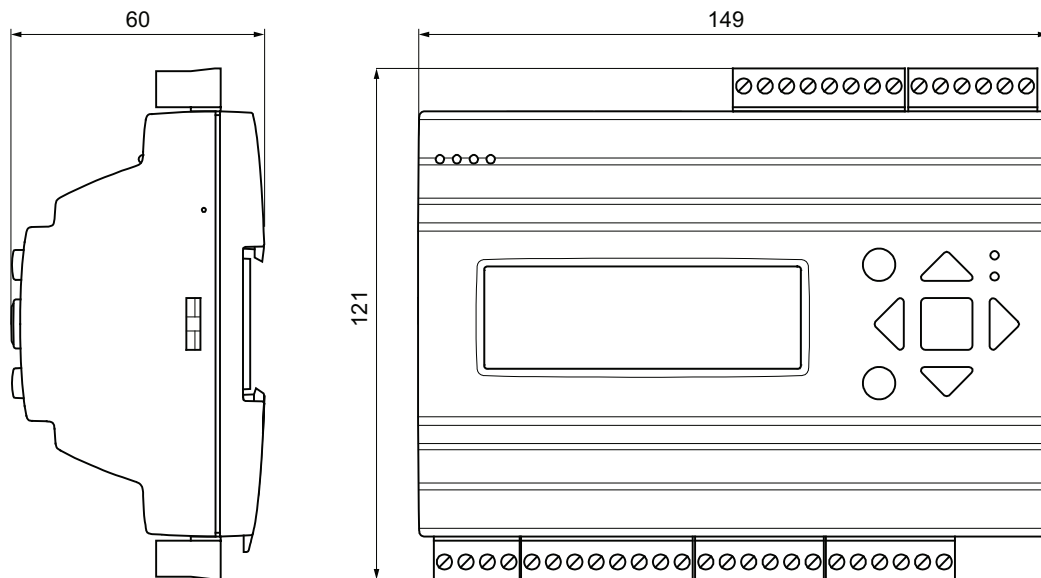
Models

Article	RS485 ports	Ethernet ports	Display	AI	DI	UI	AO	DO	Power consumption
OPA151D-4	0	1	Yes	4	4	0	3	4	9 VA
OPA281D-4	0	1	Yes	4	8	4	5	7	9 VA

Accessories

Article	Description
E3-DSP	External display
E0R-3	Repeater 24 V

Dimensions



[mm]

Documentation

All documentation can be downloaded from www.regincontrols.com.