



SE...F230

Valve actuator, 230 V supply voltage and 3-point control

Valve actuator for control of Industrietechnik's range of valves. Available in models with actuator force of 500, 1000, 1800 or 2500 N. The actuators can be operated manually with the manual override mechanism on the lid. Using an adapter kit, the actuator can also be adapted for use with other valves on the market.

- Protection class IP54
- Stroke 10...30 mm (500 N, 1000 N), 10...52 mm (1800 N, 2500 N)
- Manual manoeuvring
- Position indication
- Force 500...2500 N

Stroke and end position calibration

Stroke and end position calibration is not necessary due to a construction utilizing end position stops. When the valve reaches the end position, a force is generated. Once the force of the actuator reaches a predefined level, the limit switch automatically halts the drive motor.

Position indications

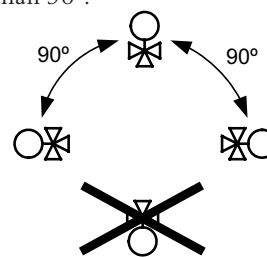
There are two position indications for the stem, one red and one blue. They can be used for end position indication, since they accompany the stem to its end position. They can also be switched to indicate whether the valve is opening or closing.

Manual override

The valve position can be changed manually using the knob located in the actuator lid.

Installation

The valve and actuator should never be mounted at an angle of more than 90°.



MAIN OFFICE BRESSANONE

I-39042 Bressanone (BZ)
via Julius-Durst-Str. 70
VAT No. IT02748450216

tel: +39 0472 830626
fax: +39 0472 831840
www.industrietechnik.it

SE...F230

Technical data

Supply voltage	230 V AC $\pm 15\%$, 50 Hz
Control signal	3-point
Max. power consumption	15.3 W / 16.5 VA
Stroke time	3 s/mm
Ambient temperature	0...50 °C
Storage temperature	-40...+80 °C
Ambient humidity	10...90 % RH
Protection class	IP54

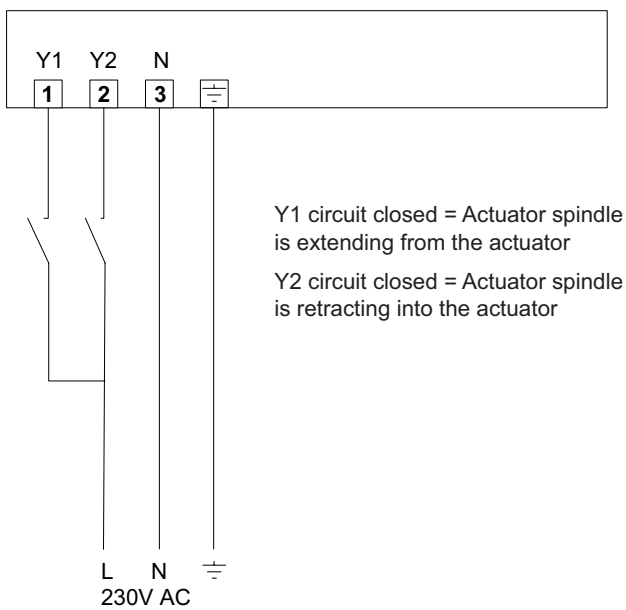
Models

Article	Force	Stroke
SE5F230	500 N	10...30 mm
SE10F230	1000 N	10...30 mm
SE18F230	1800 N	10...52 mm
SE25F230	2500 N	10...52 mm

CE

This product is CE-marked. More information is available at www.industrietechnik.it

Wiring



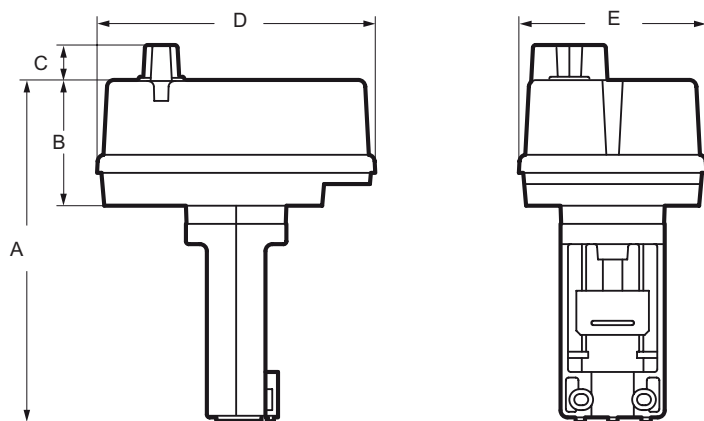
MAIN OFFICE BRESSANONE

I-39042 Bressanone (BZ)
 via Julius-Durst-Str. 70
 VAT No. IT02748450216

tel: +39 0472 830626
 fax: +39 0472 831840
www.industrietechnik.it

SE...F230

Dimensions



Models

Model	A	B	C	D	E
SE5F230	237	95	16	150	85
SE10F230	248	95	16	198	133
SE18F230	293	95	16	198	133
SE25F230	293	95	16	198	133

MAIN OFFICE BRESSANONE

I-39042 Bressanone (BZ)
via Julius-Durst-Str. 70
VAT No. IT02748450216

tel: +39 0472 830626
fax: +39 0472 831840
www.industrietechnik.it

SE...F230