

SI

Immersion sensor with housing, without well, R1/4"



Immersion sensor for temperature measurement of heating or cooling batteries in ventilation units. Probe in stainless steel without a well.

- Sealed housing with IP65
- Easy access to connection
- Replaceable cable gland

Application

The immersion sensor measures the temperature in heating or cooling batteries in ventilation units. It can be used for a wide range of applications since there are models with different sensor elements.

Function

The immersion sensor is suitable for all environments. Since it is installed using a threaded connection it closes tightly against the battery wall.

Installation

The terminal block for connecting the analog input to a controller is located under the cover. The cover is easily removed from the base with a twist.

The sensor is designed so that the seal remains in the cover at all times and the cable gland is replaceable.

MAIN OFFICE BRESSANONE

I-39042 Bressanone (BZ) tel: +39 0472 830626
 via Julius-Durst-Str. 50 fax: +39 0472 831840
 VAT No. IT02748450216 www.industrietechnik.it

SI

1 (3)

Technical data

Protection class	IP65
Time constant	4 s
Insertion length	90 mm
Measuring range, temperature	-20...+120 °C
Cable gland	M16
Connection without well	R1/4"
Diameter, probe	5 mm
Pressure rating	PN16
Dimensions, external (WxHxD)	78 x 158 x 104 mm
Weight (incl. packaging)	0.16 kg



This product carries the CE-mark. More information is available at www.industrietechnik.it.

Material

Material, housing	Polycarbonate (PC)
Material, base	Polycarbonate (PC)
Material, probe	Stainless steel, SUS304

Models

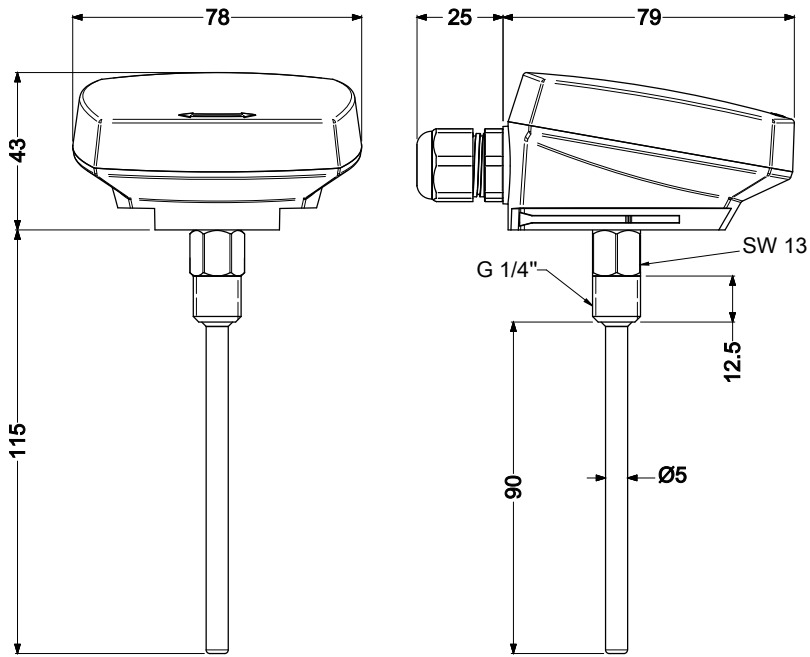
Article	Sensor element	Nominal resistance	Equivalent
SI-PT100-Y	PT100	100 Ω (0 °C)	-
SI-PT1000-Y	PT1000	1000 Ω (0 °C)	-
SI-NTC1.8-Y	NTC 1.8	1800 Ω (25 °C)	TAC
SI-NTC2.2-Y	NTC 2.2	2252 Ω (25 °C)	Johnson Controls
SI-NTC10-01-Y	NTC 10	10 kΩ (25 °C)	Aquatrol - Johnson Controls - Satchwell - Trend - Cylon - Honeywell - Distech
SI-NTC10-02-Y	NTC 10	10 kΩ (25 °C)	Carel - Evco - Eliwell - AB Industrietechnik
SI-NTC10-03-Y	NTC 10	10 kΩ (25 °C)	Andover - Delta Controls - Siebe - York
SI-NTC20-Y	NTC 20	20 kΩ (25 °C)	Honeywell
SI-NI1000-01-Y	Ni1000	1000 Ω (0 °C)	Siemens - Landis & Staefa
SI-NI1000-02-Y	Ni1000	1000 Ω (0 °C)	Sauter

MAIN OFFICE BRESSANONE

I-39042 Bressanone (BZ) tel: +39 0472 830526
 via Julius-Durst-Str. 50 fax: +39 0472 831840
 VAT No. IT02748450216 www.industrietechnik.it

SI

Dimensions



[mm]

Documentation

All documentation can be downloaded from www.industrietechnik.it.

MAIN OFFICE BRESSANONE

I-39042 Bressanone (BZ) tel: +39 0472 830626
via Julius-Durst-Str. 50 fax: +39 0472 831840
VAT No. IT02748450216 www.industrietechnik.it

SI

3 (3)