

# SL

## AIR FLOW SWITCHES



---

### Application

Well-suited in air ducts, air conditioning and air handling systems

### Function

Air or non aggressive gas flow control. Alarm signal for flow shortage.

### Installation

The flow switch may be installed in every position duly orientated on stream. The units are calibrated at the minimum switch-off value. A higher value can be adjusted by turning the range screw clockwise. Due to the risk of fracture at air speed higher than 5 m/s the paddle must be cut off on the marked side. When the paddle is cut off, the minimum cut-out value increases from 1 m/s to 2,5 m/s. Straights zones should be provided for a length of 5 x diameter upstream and downstream the location of installation to avoid air swirl and paddle instability

---

#### MAIN OFFICE BRESSANONE

I-39042 Bressanone (BZ) tel: +39 0472 830626  
via Julius-Durst-Str. 50 fax: +39 0472 831840  
VAT No. IT02748450216 www.industrietechnik.it

SL

1 (3)

## Technical data

Contact	dust-tight microswitch with SPDT contacts (n.c./n.o.)
Switch capacity	15 (8) A, 24...250 Vac
Working	-40...+85 °C 10...90% r.h. (without condensing)
Internal duct temperature	-10...+85 °C
Body	brass
Paddles	stainless steel AISI 301
Housing	Base in ABS, transparent PC cover
Storage	-40...+85 °C 95% r.h.
Protection	IP65, class I (only casing, external side duct)
Size	265 x 140 x 100 mm
Weight	630



This product carries the CE-mark. More information is available at [www.industrietechnik.it](http://www.industrietechnik.it).

## Models

TYPE	MIN- CUT-OUT VALUE m/s	MIN. CUT-IN VALUE m/s	MAX- CUT-OUT VALUE m/s	MAX. CUT-IN VALUE m/s	MAX. AIR TEMP. C°
SL1E	1.0	2.5	8.0	9.2	85

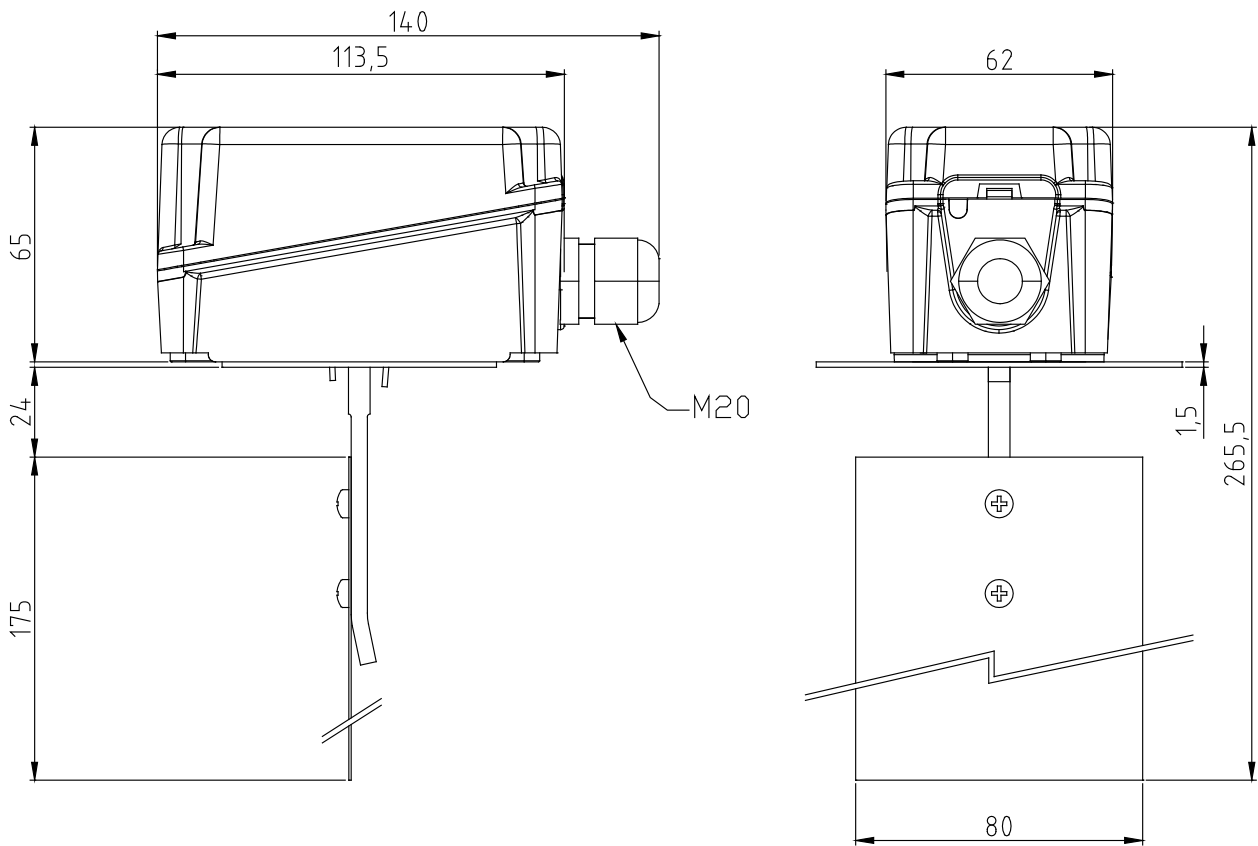
**Note:** the flow switches are supplied with paddles model DBZ-08. The value indicated on schedule have been measured with the flow switch mounted on horizontal position.

## Accessories

Article	Description
DBZ-08	Stainless steel AISI 301 paddle for air flow switch

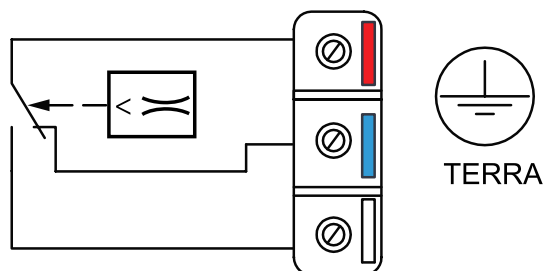
## Dimensions

[mm]



## Wiring

Connect to red and to white terminals (fig. 1). The contact red-white opens when the flow drops below the set level. When the flow is missing the contact red-blue closes and can be used as a signal or alarm contact.



## Documentation

All documentation can be downloaded from [www.industrietechnik.it](http://www.industrietechnik.it).

MAIN OFFICE BRESSANONE

I-39042 Bressanone (BZ) tel: +39 0472 830626  
via Julius-Durst-Str. 50 fax: +39 0472 831840  
VAT No. IT02748450216 www.industrietechnik.it

SL

3 (3)