

STC

Duct sensor with housing



Duct sensor for air temperature measurement in ventilation ducts.

- Sealed housing with IP65
- Easy access to connection
- Replaceable cable gland

Application

The duct sensor measures the air temperature in ventilation and air handling installations. It can be used for a wide range of applications since there are models with different sensor elements and different insertion lengths.

Function

The duct sensor is suitable for all environments. Since the mounting bracket is made of a flexible material it closes tightly against the duct.

Installation

The duct sensor is very easy to mount and it has an adjustable insertion length.

The terminal block for connecting the analog input to a controller is located under the cover. The cover is easily removed from the base with a twist.

The sensor is designed so that the seal remains in the cover at all times and the cable gland is replaceable.

MAIN OFFICE BRESSANONE

I-39042 Bressanone (BZ) tel: +39 0472 830526
via Julius-Durst-Str. 50 fax: +39 0472 831840
VAT No. IT02748450216 www.industrietechnik.it

STC

1 (3)

Technical data

Protection class	IP65
Time constant	16 s
Measuring range, temperature	-30...+70 °C
Cable gland	M16
Diameter, probe	8 mm
Dimensions, external (WxHxD)	78 x 263 x 104 mm
Weight (incl. packaging)	0.19 kg



This product carries the CE-mark. More information is available at www.industrietechnik.it.

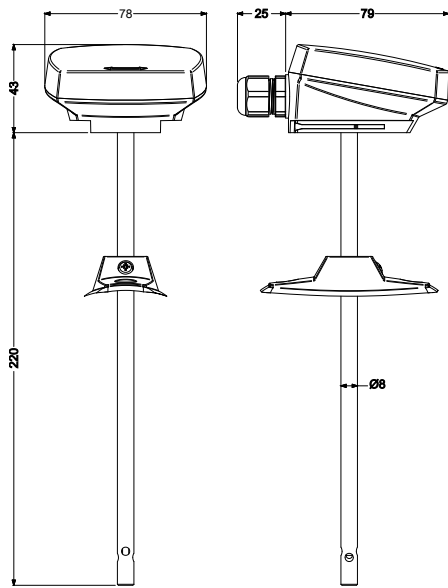
Material

Material, housing	Polycarbonate (PC)
Material, base	Polycarbonate (PC)
Material, probe	Stainless steel, SUS304

Models

Article	Sensor element	Nominal resistance	Insertion length	Equivalent
STC-PT100-Y	PT100	100 Ω (0°C)	60...205 mm	-
STC-PT1000-Y	PT1000	1000 Ω (0°C)	60...205 mm	-
STC-PT1000/430-Y	PT1000	1000 Ω (0°C)	60...405 mm	-
STC-NTC1.8-Y	NTC 1.8	1800 Ω (25°C)	60...205 mm	TAC
STC-NTC2.2-Y	NTC 2.2	2252 Ω (25°C)	60...205 mm	Johnson Controls
STC-NTC10-01-Y	NTC 10	10 kΩ (25 °C)	60...205 mm	Aquatrol - Johnson Controls - Satchwell - Trend - Cylon - Honeywell - Distech
STC-NTC10-02-Y	NTC 10	10 kΩ (25 °C)	60...205 mm	Carel - Evco - Eliwell - AB Industrietechnik
STC-NTC10-03-Y	NTC 10	10 kΩ (25 °C)	60...205 mm	Andover - Delta Controls - Siebe - York
STC-NTC20-Y	NTC 20	20 kΩ (25°C)	60...205 mm	Honeywell
STC-NI1000-01-Y	Ni1000	1000 Ω (0 °C)	60...205 mm	Siemens - Landis & Staefa
STC-NI1000-02-Y	Ni1000	1000 Ω (0 °C)	60...205 mm	Sauter

Dimensions



[mm]

Documentation

All documentation can be downloaded from www.industrietechnik.it.