

# STI

## Immersion sensor with housing and well



*Immersion sensor for temperature measurement in heating- or cooling applications. Supplied with a nickel coated brass well. Available in different lengths.*

- Sealed housing with IP65
- Easy access to connection
- Replaceable cable gland

### Application

The immersion sensor measures the temperature in water pipes. It can be used for a wide range of applications since there are models with different sensor elements and different insertion lengths.

### Function

The immersion sensor is suitable for all environments.

Since the well is installed using a threaded connection it closes tightly against the pipe wall which makes it possible to exchange sensor without any water leakage.

### Installation

The sensor is fastened easily to the well with the supplied screw.

The terminal block for connecting the analog input to a controller is located under the cover. The cover is easily removed from the base with a twist.

The sensor is designed so that the seal remains in the cover at all times and the cable gland is replaceable.

#### MAIN OFFICE BRESSANONE

I-39042 Bressanone (BZ) tel: +39 0472 830526  
 via Julius-Durst-Str. 50 fax: +39 0472 831840  
 VAT No. IT02748450216 www.industrietechnik.it

STI

1 (3)

## Technical data

Protection class	IP65
Time constant	18 s
Measuring range, temperature	-20...+120 °C
Cable gland	M16
Connection, well	R1/2"
Diameter, well	8 mm
Pressure rating	PN25
Dimensions, external (WxHxD)	78 x 156 x 104 mm
Weight (incl. packaging)	0.20 kg



This product carries the CE-mark. More information is available at [www.industrietechnik.it](http://www.industrietechnik.it).

## Material

Material, housing	Polycarbonate (PC)
Material, base	Polycarbonate (PC)
Material, probe	Stainless steel, SUS304
Material, well	Brass / Cu-Ni

## Models

Article	Sensor element	Nominal resistance	Equivalent
STI-PT100-Y	PT100	100 Ω (0°C)	-
STI-PT1000-Y	PT1000	1000 Ω (0°C)	-
STI-NTC1.8-Y	NTC 1.8	1800 Ω (25°C)	TAC
STI-NTC2.2-Y	NTC 2.2	2252 Ω (25°C)	Johnson Controls
STI-NTC10-01-Y	NTC 10	10 kΩ (25 °C)	Aquatrol - Johnson Controls - Satchwell - Trend - Cylon - Honeywell - Distech
STI-NTC10-02-Y	NTC 10	10 kΩ (25 °C)	Carel - Evco - Eliwell - AB Industrietechnik
STI-NTC10-03-Y	NTC 10	10 kΩ (25 °C)	Andover - Delta Controls - Siebe - York
STI-NTC20-Y	NTC 20	20 kΩ (25°C)	Honeywell
STI-NI1000-01-Y	Ni1000	1000 Ω (0 °C)	Siemens - Landis & Staefa
STI-NI1000-02-Y	Ni1000	1000 Ω (0 °C)	Sauter

Article	Insertion length
STI-PT1000-50-Y	50 mm
STI	90 mm
STI-PT1000-120-Y	120 mm
STI-PT1000-170-Y	170 mm
STI-PT1000-310-Y <sup>1</sup>	310 mm

1. Available upon request

### MAIN OFFICE BRESSANONE

I-39042 Bressanone (BZ) tel: +39 0472 830526  
 via Julius-Durst-Str. 50 fax: +39 0472 831840  
 VAT No. IT02748450216 www.industrietechnik.it

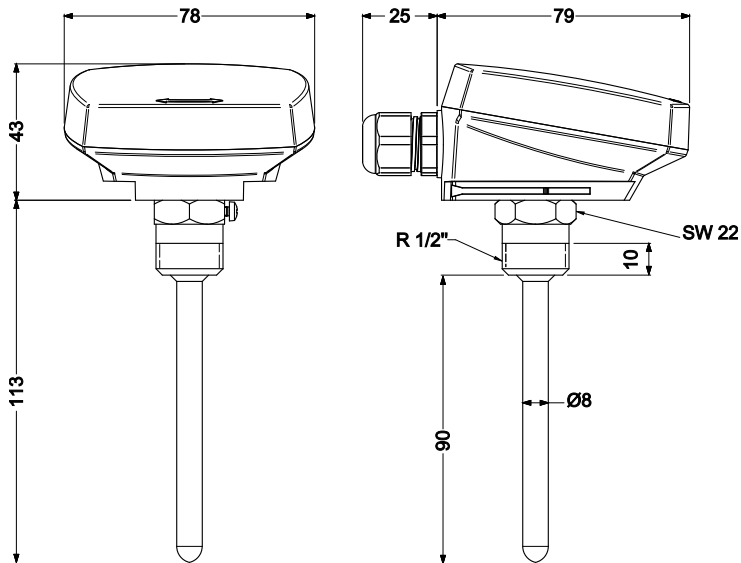
STI

## Accessories

Article	Description	Insertion length	Material
DBZ-50WA	Well for probe	50 mm	Acid-proof stainless steel, SUS316
DBZ-90WA	Well for probe	90 mm	Acid-proof stainless steel, SUS316
DBZ-120WA	Well for probe	120 mm	Acid-proof stainless steel, SUS316
DBZ-170WA	Well for probe	170 mm	Acid-proof stainless steel, SUS316
DBZ-310WA <sup>1</sup>	Well for probe	310 mm	Acid-proof stainless steel, SUS316

1. Available upon request

## Dimensions



[mm]

## Documentation

All documentation can be downloaded from [www.industrietechnik.it](http://www.industrietechnik.it).