



INDUSTRIAL TEMPERATURE TRANSMITTERS, IP65

TT

FUNCTION

Temperature measuring and transmission in voltage, current values:

- 0...10 Vdc, 3 wires;
- 4...20 mA, 2 wires;

APPLICATIONS

Designed for industrial applications with air duct mounting or wall mounting.

TYPE	RANGE °C	OUTPUT (TEMPERATURE)	ACCURACY (TEMPERATURE) °C	PROTECTION	APPLICATION	DIA- GRAM FIG.
TTC011	0...+50	0-10 Vdc	± 1	IP65	air duct	2
TTC012	-30...+50	0-10 Vdc	± 1,5	IP65	air duct	2
TTC013	0...+100	0-10 Vdc	± 2	IP65	air duct	2
TTC021	0...+50	4-20 mA	± 1	IP65	air duct	1
TTC022	-30...+50	4-20 mA	± 1,5	IP65	air duct	1
TTC023	0...+100	4-20 mA	± 2	IP65	air duct	1
TTE011	0...+50	0-10 Vdc	± 1	IP65	room/outdoor	2
TTE012	-30...+50	0-10 Vdc	± 1,5	IP65	room/outdoor	2
TTE013	0...+100	0-10 Vdc	± 2	IP65	room/outdoor	2
TTE021	0...+50	4-20 mA	± 1	IP65	room/outdoor	1
TTE022	-30...+50	4-20 mA	± 1,5	IP65	room/outdoor	1
TTE023	0...+100	4-20 mA	± 2	IP65	room/outdoor	1
TTI011	0...+50	0-10 Vdc	± 1	IP65	immersion	2
TTI012	-30...+50	0-10 Vdc	± 1,5	IP65	immersion	2
TTI013	0...+100	0-10 Vdc	± 2	IP65	immersion	2
TTI021	0...+50	4-20 mA	± 1	IP65	immersion	1
TTI022	-30...+50	4-20 mA	± 1,5	IP65	immersion	1
TTI023	0...+100	4-20 mA	± 2	IP65	immersion	1

Accessory	DBZ-22 - mounting bracket for air duct transmitters TTC (included in the supply)
------------------	--

CARATTERISTICHE TECNICHE

TECHNICAL DATA

Power supply: see electrical wiring
Outputs: see schedule
Power cons.: < 1 W
Elect. connections: screw terminals max. 0.75 mm²
Measuring range: see schedule
Sensor type: NTC 10K
Working temp. (sensor):
 -20...+50 °C (TTE)
 -20...+100 °C (TTI)
 -20...+80 °C (TTC)
Room temp.: -20...+50 °C
Working humidity: 10...95 % r.h.
Storage: -20...+70 °C
Precision:
 max error 1 °C (range 0..50 °C)
 max error 1.5 °C (range -30..50 °C)
 max error 2 °C (range 0..100 °C)
Temp. dependence of electronics:
 output 4...20 mA (temperature): 0.015 °C/°C
 output 4...20 mA
 - power supply 11...17 Vdc: R_t < 50 Ohm
 - power supply 21...30 Vdc: R_t < 500 Ohm
 output 0...10 Vdc: R_t > 1000 Ohm

Insertion length: TTC: 60...230 mm
 TTI: 120 mm
Housing: cover: withe polycarbonate
 base: gray polycarbonate
Protezione: IP65, class III (sensor excluded)
Dimension: 75 x 75 x 36 mm (housing)
Weight: 180...300 g

WIRING DIAGRAM

CURRENT (2 wires)

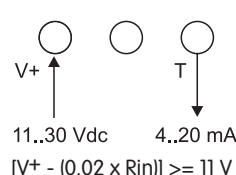


fig. 1

VOLTAGE

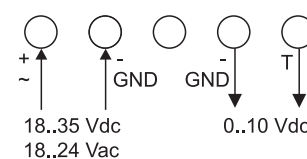
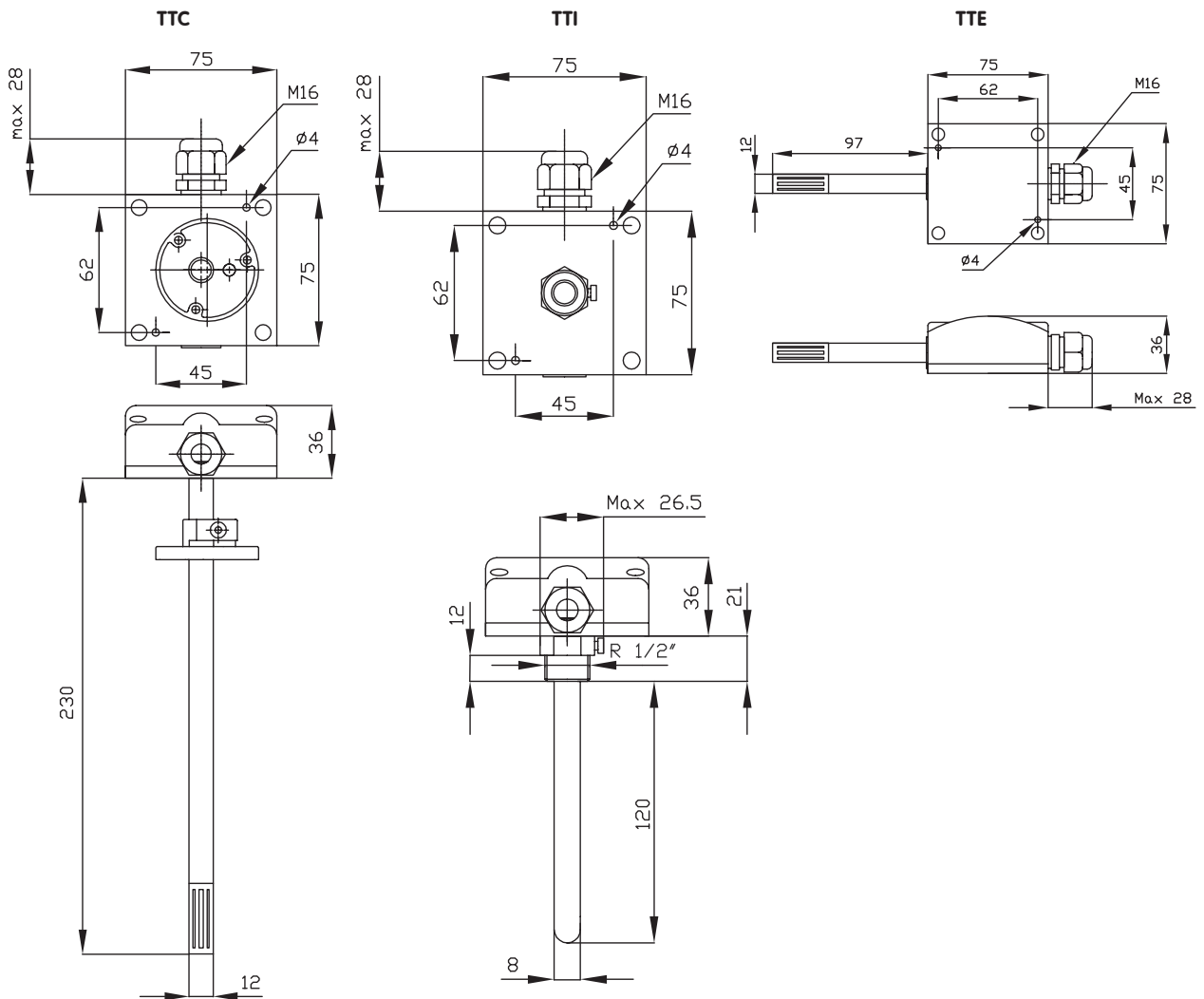


fig. 2

Wiring diagrams referred to the different models from the schedule.



DIMENSIONS (mm)



MOUNTING BRACKET DBZ-22 SUPPLIED WITH TTC

