



## AIR DUCT THERMOSTAT, IP54

TZ

### FUNCTION

Temperature monitoring in air or non aggressive gas ducts.  
Temperature monitoring and safety protection with manual reset (double models) and commutation of the contact.

### APPLICATIONS

Well-suited for heating, cooling and air conditioning systems and general applications in domestic and industrial areas.

TYPE	RANGE °C	DIFFERENTIAL RANGE K	MAX. BULB TEMP. °C	FUNCTION	SPRING LENGTH mm
TZ090U	0...+90	4±1	120	TR	200/Ø21
TZR6585	+65...+85	20±5	125	TB	200/Ø21

Accessorio	DBZ-25 - Spiral protection bracket for capillary
------------	--

Note: the thermostats are supplied with spiral protection bracket model DBZ-25

U models with range under the cover

TR with SPDT contact

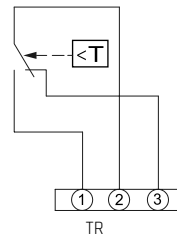
TB manual maximum reset

The unit can be resetted only if the temperature drops the setpoint minus the value of differential.

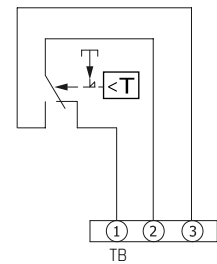
### TECHNICAL DATA

Sensitive element: liquid-filled coiled copper bulb with 200 mm protection spring and mounting bracket  
Contacts: dust-tight microswitches with SPDT contacts (heat/cool)  
Switch capacity: see wiring diagrams  
Differentials: see schedule  
Working: -35...+65 °C  
10...90% r.h. (without condensing)  
Storage: -20...+70 °C  
< 95% r.h.  
Housing: Bayblend base, ABS cover  
Protection: IP54, class I  
Size: 108 x 70 x 72 mm  
Weight: 590 g

### WIRING DIAGRAM

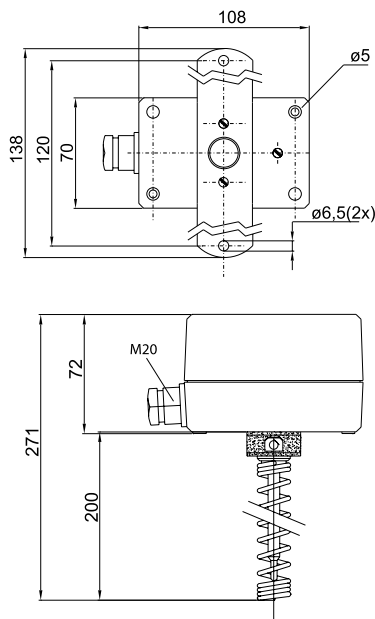


NC 250 Vac 16 (6) A  
NO 250 Vac 6 (4) A



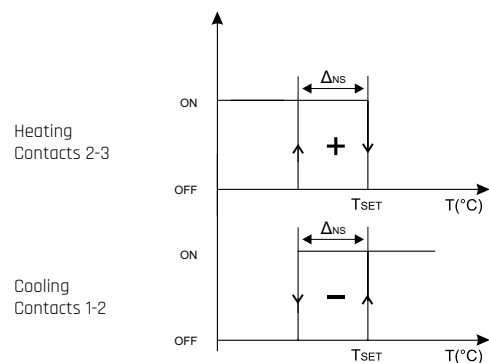
NC 250 Vac 16 (2,5) A  
NO 250 Vac 0,5 A

### DIMENSIONS (mm)



### Logic activation:

Valid only for TR function:



Δns: differential in the stage  
Tset: setting setpoint  
ON: closed contact  
OFF: open contact