



VFD3

Male threaded 3-way control valve

VFD3 is a series of valves intended for control of hot, cold or glycol-mixed water in heating, ventilation or domestic hot water systems.

- Size DN 15-50
- Kvs value 0.63...40
- Media temperature -5...+185°C

The VFD3 valve is designed for use in heating and ventilation systems. It also works very well in fresh water systems, as it is made of dezincification resistant brass and gunmetal. However, in these cases, the fittings should be replaced with a material suitable for the application.

Function

As the stem is at its lower position, flow-through between ports A and AB is entirely open (and closed between ports B and AB). As the stem is at its highest position, flow-through between ports B and AB is entirely open (and closed between ports A and AB).

Actuators

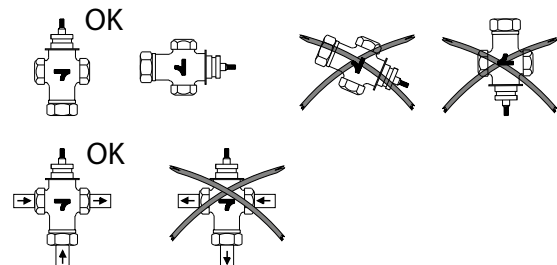
VFD3 is designed to be used together with AB Industrietechnik's SE5... line of actuators. The SE10... may also be used on DN32-50 if needed. We also offer adapters for actuators of other brands.

- Pressure class PN16
- Body in gunmetal
- Supplied complete with pipe fittings

Installation

The valves should be mounted according to the flow direction arrows on the valve.

The valve is of a mixing type and must therefore be mounted in the mixing point.



Material

VFD3 has a body of gunmetal and a stem made of stainless steel. The plug is made of dezincification resistant brass. The packing box has O-rings made of Viton and self-adjusting teflon seals.

The enclosed pipe fittings nut is made of galvanized cast iron and the nipple is in dezincification resistant brass.

Models

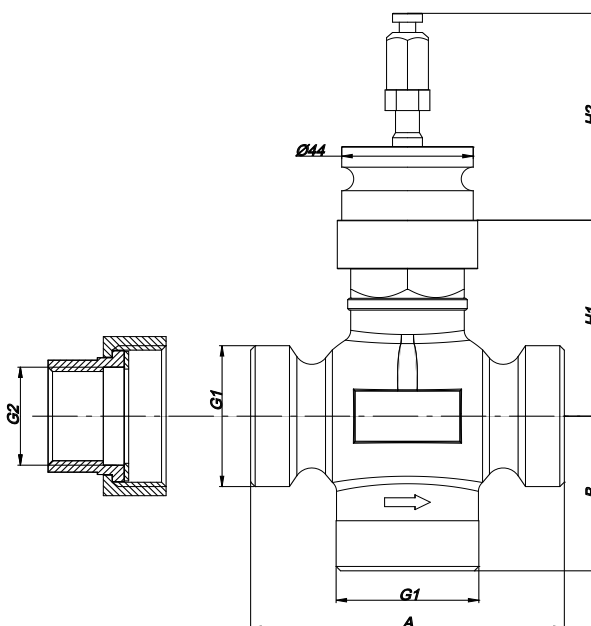
Valves	Connection	Kvs	Max. diff. pressure
VFD315-0,63	DN15	0.63	1.6 MPa
VFD315-1,25	DN15	1.25	1.6 MPa
VFD315-1,6	DN15	1.6	1.6 MPa
VFD315-2,5	DN15	2.5	1.6 MPa
VFD315-4,0	DN15	4	1.6 MPa
VFD320-5,0	DN20	5	1.6 MPa
VFD320-6,3	DN20	6.3	1.6 MPa
VFD325-8,0	DN25	8	1.0 MPa
VFD325-10	DN25	10	1.0 MPa
VFD332-12,5	DN32	12.5	0.6 MPa
VFD332-16	DN32	16	0.6 MPa
VFD340-20	DN40	20	0.4 MPa
VFD340-25	DN40	25	0.4 MPa
VFD350-31,5	DN50	31.5	0.25 MPa
VFD350-40	DN50	40	0.25 MPa

Technical data

Flow characteristics	Equal percentage
Temperature range	-5...+185°C
Media	Hot, cold or glycol-mixed water and steam
Connection	Male threaded according to ISO 228/1 Delivered with connections according to dimension drawing below
Stroke	20 mm
Max. leakage	0.1 % of kvs
Pressure class	PN16
Rangeability	100:1
Material	
Body	Gunmetal 1400 LG2
Stem	Stainless steel 303S31
Plug	Gunmetal 1400 LG2
Seat	Gunmetal 1400 LG2
Packing box	Dezincification resistant brass CW 602N, self-adjusting teflon (o-ring viton)
O-ring	Viton
Connections	
Nut	Cast iron, galvanized
Nipple	Dezincification resistant brass CW 602N
Fitting seal	Novatec Premium 2, Nitrile bonded aramid fibre with graphite

Dimensions

DN	A	B	H1	H2	G1	G2
15	100	50	60.5	70	G 1"	G ½"
20	100	50	60.5	70	G 1¼"	G ¾"
25	105	52.5	66.5	70	G 1½"	G 1"
32	105	52.5	68.5	70	G 2"	G 1¼"
40	130	65	76.5	70	G 2¼"	G 1½"
50	150	75	82,5	70	G 2¾"	G 2"



Pressure drop diagram

