



- Size DN15–50
- Kvs value 0.6–39
- Rangeability 100:1

Function

The valve is closed when the stem is in its lowest position.

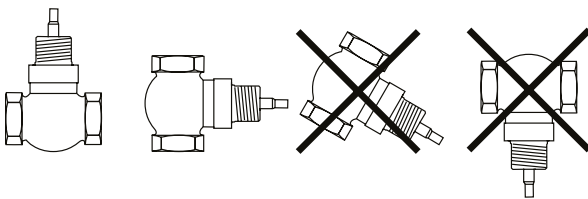
Actuator

The valve is pressure balanced and can therefore handle high differential pressure with low force. This means that an actuator with low force can be used.

VFG2 is intended to be used together with actuators of the type SE5...

Installation

The valve should be mounted according to the flow direction arrows on the valve.



VFG2

Female threaded 2-way valve

Pressure balanced (from DN20-50, not DN15) valve intended for control of hot, cold or glycol-mixed water.

- No leakage
- Pressure balanced (smaller actuators can be used)
- Temperature range -5...+140°C
- Pressure rating PN16

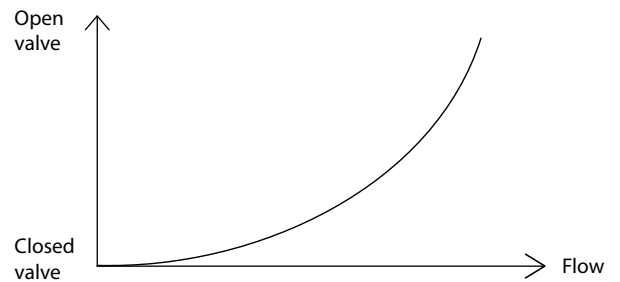
Material

VFG2 has body and top in brass, stem and plug in stainless steel.

The valve has a soft seating made out of carbon-filled teflon between plug and seat, which makes it completely tight. It has O-rings made of EPDM.

Flow characteristics

The flow type is equal percentage according to the figure below.



Models

| Valve | Connection | Kvs | Max. diff. pressure | Valve | Connection | Kvs | Max. diff. pressure |
|------------|------------|-----|---------------------|-----------|------------|-----|---------------------|
| VFG215-0,6 | DN15 | 0,6 | 1,6 MPa | VFG225-10 | DN25 | 10 | 1,6 MPa |
| VFG215-1,0 | DN15 | 1,0 | 1,6 MPa | VFG232-10 | DN32 | 10 | 1,6 MPa |
| VFG215-1,6 | DN15 | 1,6 | 1,6 MPa | VFG232-16 | DN32 | 16 | 1,6 MPa |
| VFG215-2,5 | DN15 | 2,5 | 1,6 MPa | VFG240-16 | DN40 | 16 | 1,6 MPa |
| VFG220-3,9 | DN20 | 3,9 | 1,6 MPa | VFG240-27 | DN40 | 27 | 1,6 MPa |
| VFG225-6,3 | DN25 | 6,3 | 1,6 MPa | VFG250-39 | DN50 | 39 | 1,6 MPa |

Technical data

| | |
|----------------------|--|
| Pressure rating | PN16 |
| Connection | Female threaded |
| Flow characteristics | Equal percentage |
| Rangeability | 100:1 |
| Stroke | 20 mm |
| Media | Hot, cold or glycol-mixed water (max. 50 % glycol) |
| Leakage | None |
| Temperature range | -5...+140°C |
| Thread | The valves have female threaded connections according to ISO 228/1 |

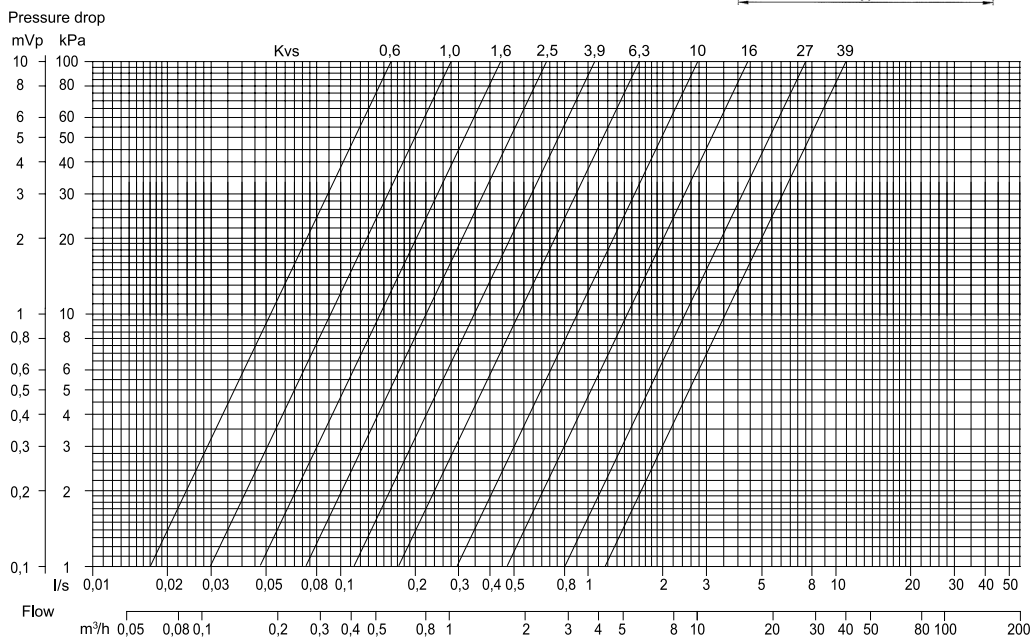
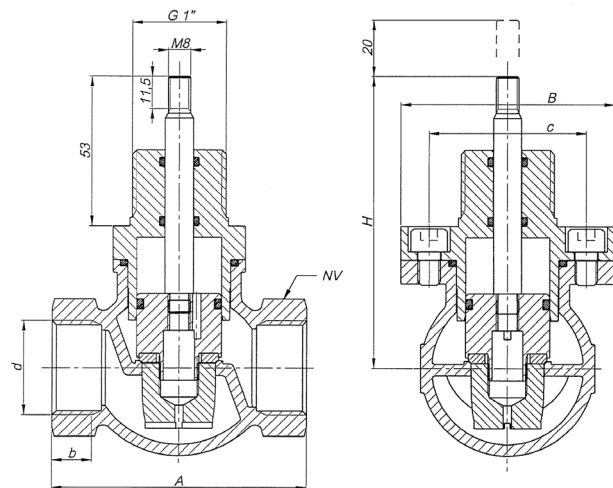
Material

| | |
|-----------|------------------------|
| Body | Brass CZ 121 |
| Plug | Stainless steel 304S15 |
| Seat | Brass CZ 121 |
| Stem | Stainless steel 303S31 |
| Plug seal | PTFE (25% carbon) |
| O-rings | EPDM |

Dimensions and pressure drop diagram

Measurements in mm

| DN: | d | A | b | H | B | c | NV |
|-----|---------|-----|----|-----|----|----|----|
| 15 | G1/2" | 70 | 11 | 90 | 62 | 47 | 30 |
| 20 | G3/4" | 75 | 13 | 90 | 62 | 47 | 36 |
| 25 | G1" | 90 | 14 | 104 | 76 | 56 | 42 |
| 32 | G1 1/4" | 105 | 17 | 104 | 64 | 44 | 52 |
| 40 | G1 1/2" | 120 | 18 | 120 | 67 | 50 | 58 |
| 50 | G2" | 145 | 20 | 124 | 77 | 60 | 70 |



AB Industrietechnik Srl

Via Julius Durst, 70 - 39042 Bressanone (BZ) - Italy

Tel. +39 0472/830626 - Fax +39 0472/831840

E-mail: info@industrietechnik.it

Homepage: www.industrietechnik.it